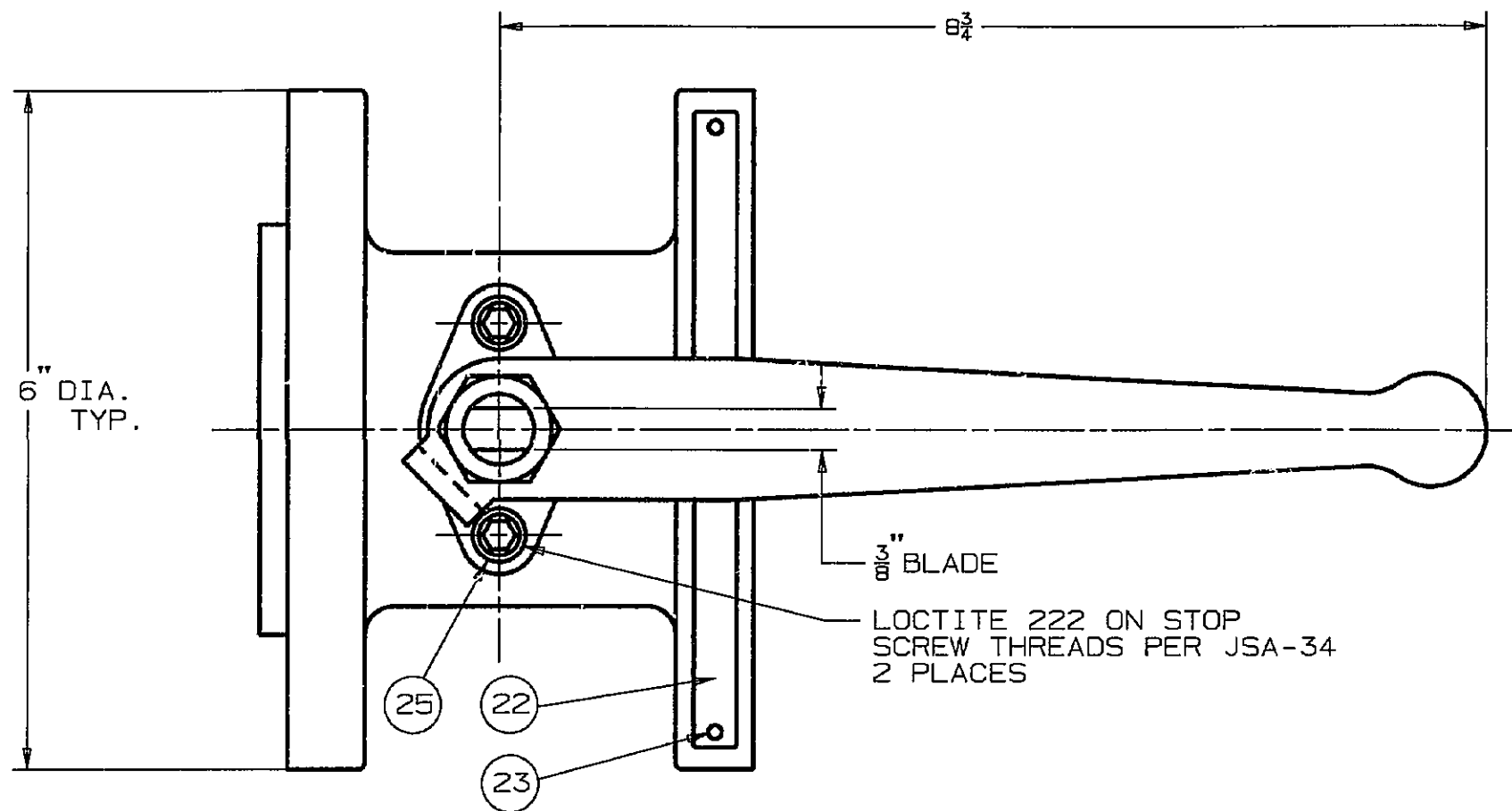
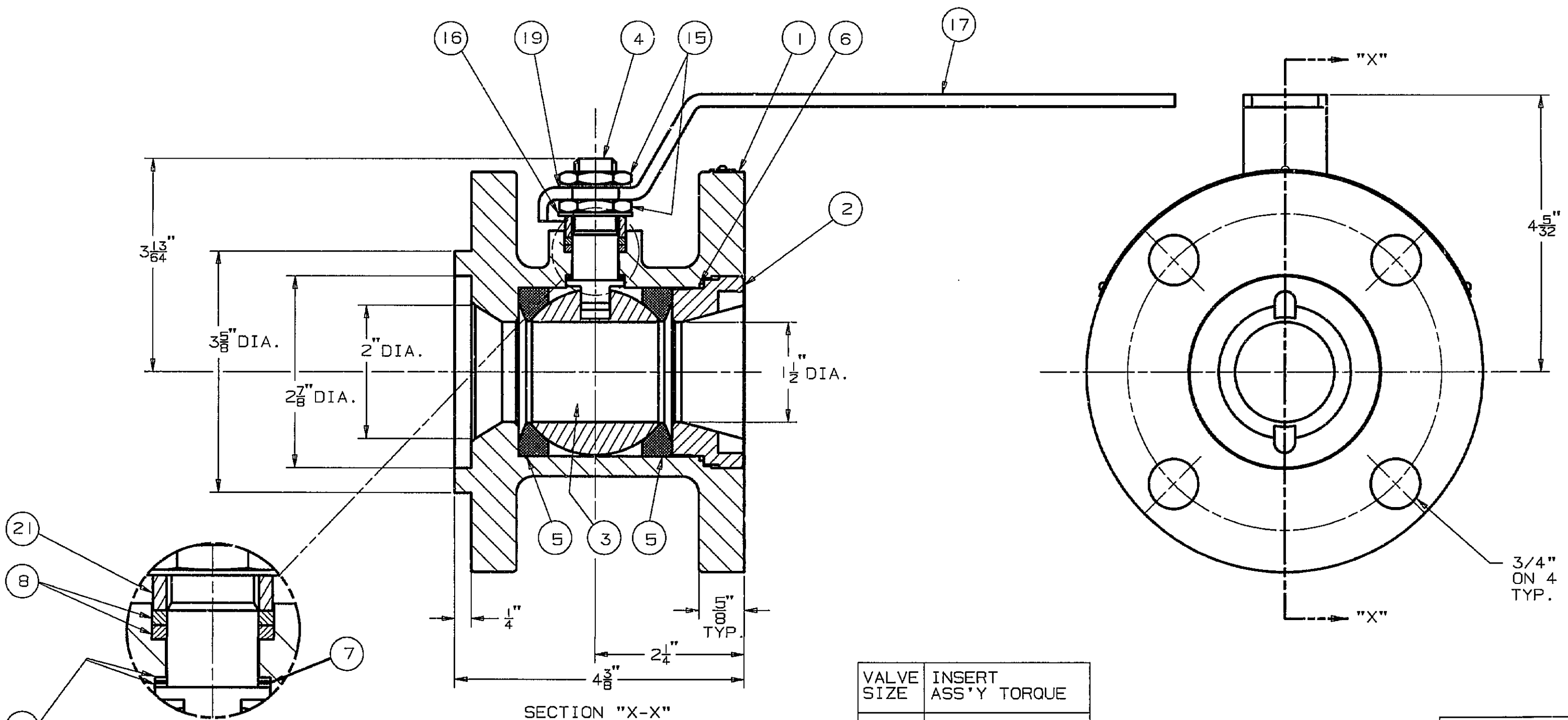


SUPERSEDED BY		SUPERSEDED BY			
LET	ECN	REVISION	DR.	APPD.	DATE
	13854	5101 WAS P-11249	GFW	GRW	12 JUNE 91
A	13975	HANDLE WAS 6"LG.	EVA	GW	25OCT91



ITEM NO.	PART NAME
1.	BODY
2.	INSERT
3.	BALL
4.	STEM
5.	SEAT
6.	BODY SEAL
7.	SECONDARY STEM SEAL
8.	UPPER STEM SEAL
15.	STEM NUT
16.	STEM WASHER
17.	HANDLE
19.	LOCKWASHER
21.	COMPRESSION RING
22.	IDENTIFICATION TAG
23.	DRIVE SCREW
24.	STEM BEARING
25.	STOP SCREW



VALVE SIZE	INSERT ASS'Y TORQUE
2"	170/200 FT-LBS

THIS DRAWING AND ALL INFORMATION CONTAINED HEREIN ARE THE PROPERTY OF THE NELES-JAMESBURY CORP. AND ARE NOT TO BE USED EXCEPT AS AUTHORIZED BY SAID CORPORATION.

UNLESS OTHERWISE NOTED DIMENSIONING, TOLERANCING, & DRAWING INTERPRETATION IS IN ACCORDANCE WITH ANSI Y14.5-1982 & 000-STD-100.

ALL MACHINE SURFACES TO BE 250 BREAK ALL SHARP CORNERS 1/64 MAX REMOVE ALL BURRS

MAT'L. CODE	MATERIAL TYPE	MATERIAL SPECIFICATIONS	IDENT. MARK
JSA-01			
JSA-10			
JSA-17			
JSA-34			
JST-02			

DO NOT SCALE DRAWING

TITLE: ASSEMBLY
2" SRRT TOP
LOADING VALVE
WITH TONGUE

DR. GRW DATE JUNE 12 1991
APPVD. RET DATE JUNE 12 1991

NELES-JAMESBURY WORCESTER, MASS., U.S.A. 5101