

**Junction Module (JM™) Enclosure with:**

**Six (6) or Twelve (12) Point Terminal Blocks (JMB06; JMB12)**

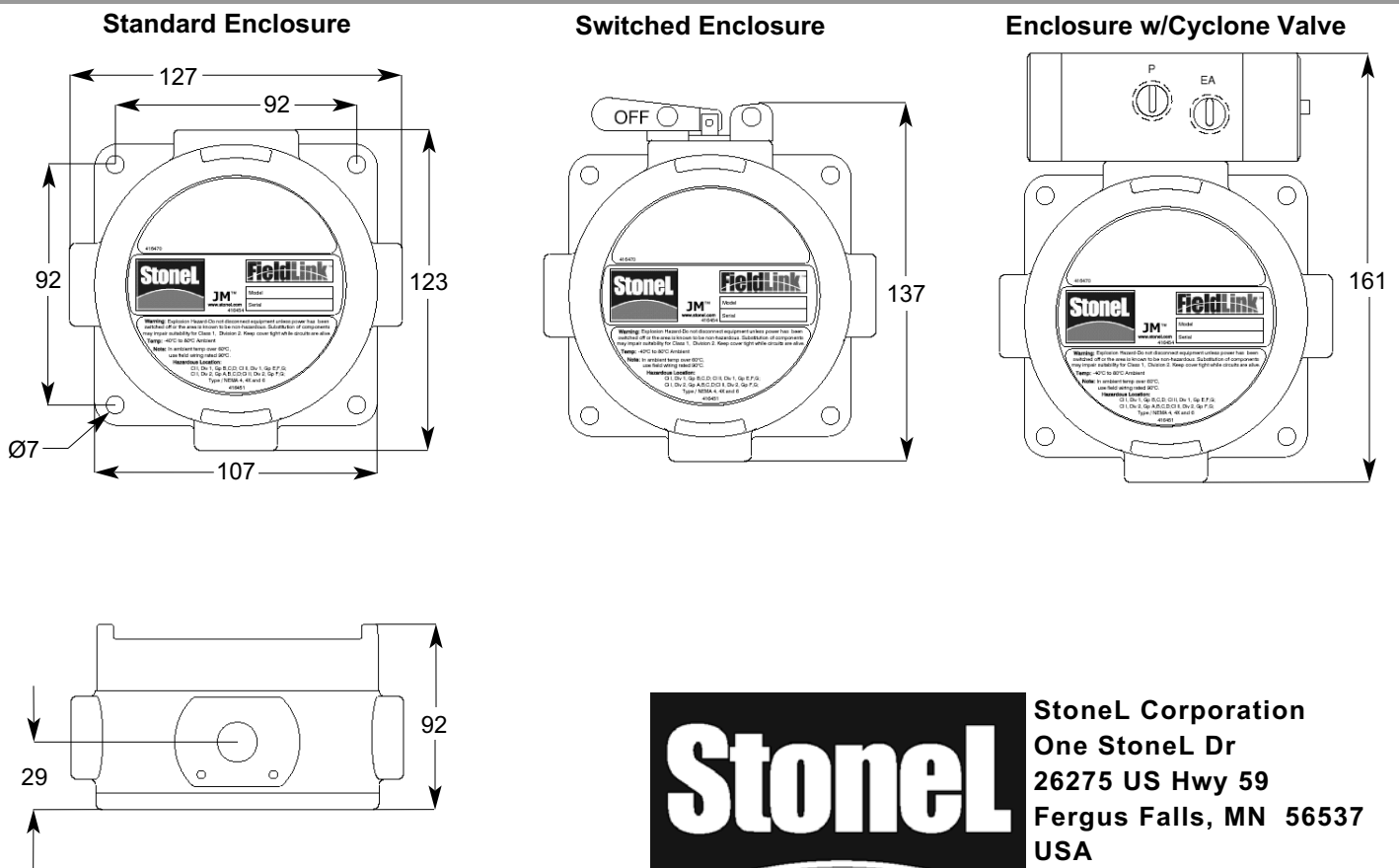
**Features**

- Provides convenient termination points in a rugged junction box
- Terminal blocks will accept up to a single 12 AWG wire or (2) 14 AWG wires

(See Page 3 detailed wiring instructions)



**JM Enclosure Dimensions (in mm)**



© 2001 Stonel Corporation

**Stonel Corporation**  
 One Stonel Dr  
 26275 US Hwy 59  
 Fergus Falls, MN 56537  
 USA

Telephone: 218.739.5774  
 Toll Free: 800.843.7866  
 Fax: 218.739.5776  
 E-mail: sales@stonel.com  
 Website: www.stonel.com

Example: JMB1211EN

JM	Function	Solenoid				Enclosure	Conduit Entries
	B06	(6) Point Terminal Block	11 No Solenoid				C Clear Cover
B12	(12) Point Terminal Block	Pilot	Type	Brass	SS	E Epoxy Coated Aluminum	N (4) 1/2" NPT
		1-Solenoid	2-Postn,5-Way	2H	2B		6 (3) M20
		1-IS Piezo	2-Postn,5-Way	3G	3A		M (4) M20
		2-Solenoid	2-Postn,5-Way	2L	2E		9 (3) 3/4" NPT
							T (4) 3/4" NPT

General Specifications

<b>Operating Life</b>	Unlimited	<b>Temperature Range</b>	-40° to +80° C (-23° to 180° F)
<b>Materials of Construction</b>		<b>Enclosure Protection</b>	NEMA 4, 4X & 6; IP67
Housing and Cover	Marine grade anodized aluminum epoxy coating	<b>Hazardous Area Ratings</b>	
Clear Cover	Lexan® Polycarbonate	<b>Explosion Proof</b> (Aluminum Cover)	Class I, Div. 1 and 2, Groups B,C,D
Elastomer Seals	Buna-N		Class II, Div. 1 and 2, Groups E,F,G
Fasteners	Stainless Steel	<b>Non-incendive</b> (Clear Cover)	Class I, Div. 2, Groups A,B,C,D
<b>Warranty</b>			Class II, Div. 2, Groups E,F,G
Complete Assemblies	Two Years		(Not all units carry approvals, consult factory)

Lexan is a registered trademark of General Electric Corporation.

Mounting Instructions

Mounting The JM Enclosure

1. Locate the position where the JM enclosure will be mounted. Ensure that there is sufficient room to operate the disconnect switch levers and to remove the cover.
2. Attach the JM enclosure to a wall or other stationary flat surface using the mounting holes provided.
3. Secure the cover until hand tight

Attaching Conduit and Fittings

1. Conduit entries are provided for the convenient attachment of threaded conduit and threaded conduit fittings. Attach threaded fittings and conduits securely.
2. Follow all applicable NEC codes and other regulations.

Installing & Removing Cover

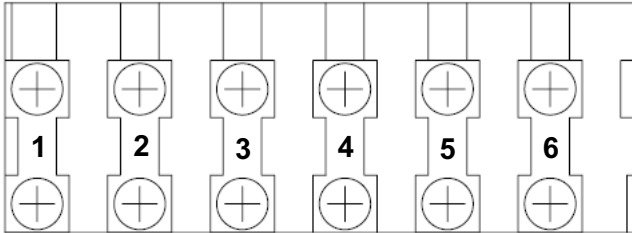
1. To insure NEMA 4, 4X, 6 and hazardous location ratings are maintained the cover **must be** completely closed and the O-Ring sealed to keep out water.

# Terminal Block Ratings

Voltage Range 0-300 VAC/VDC  
Max Current 20 Amps  
Wire Gauge (1) 12AWG or (2) 14 AWG

## Terminal Block Numbering and Layout

### 6-Pole Terminal Block



### 12-Pole Terminal Block

