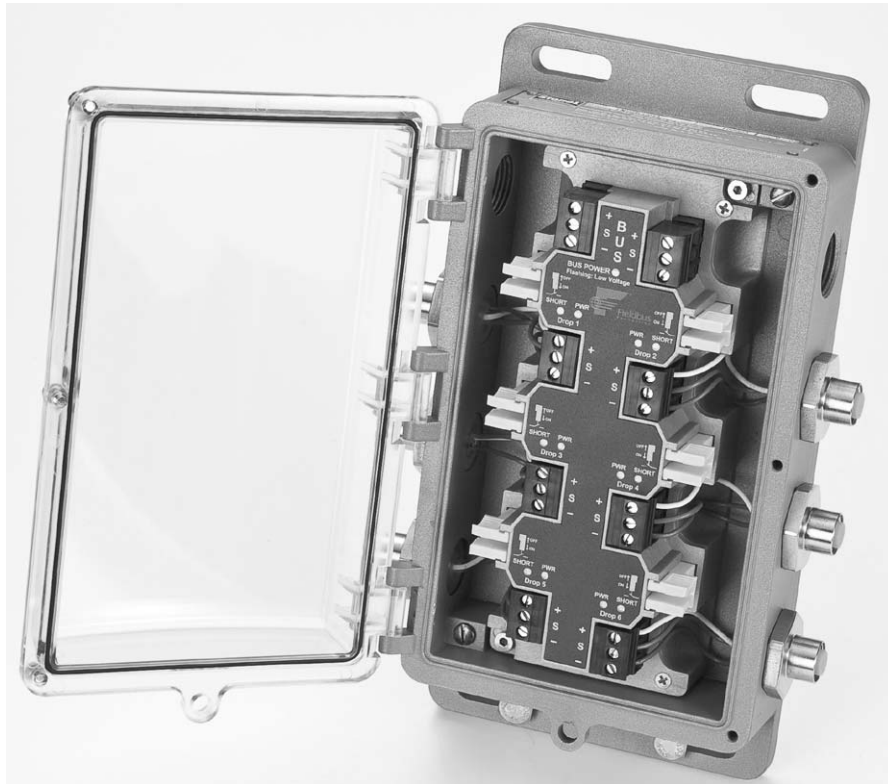


**FieldBlock Nonincendive™ Enclosure (FN) with:**



**FOUNDATION Fieldbus or Profibus PA**

**(1-6) Protected Drop Connector (FNP04\_\_\_\_)**



**StoneL Corporation**  
**One StoneL Dr**  
**26271 US Hwy 59**  
**Fergus Falls, MN 56537**  
**USA**

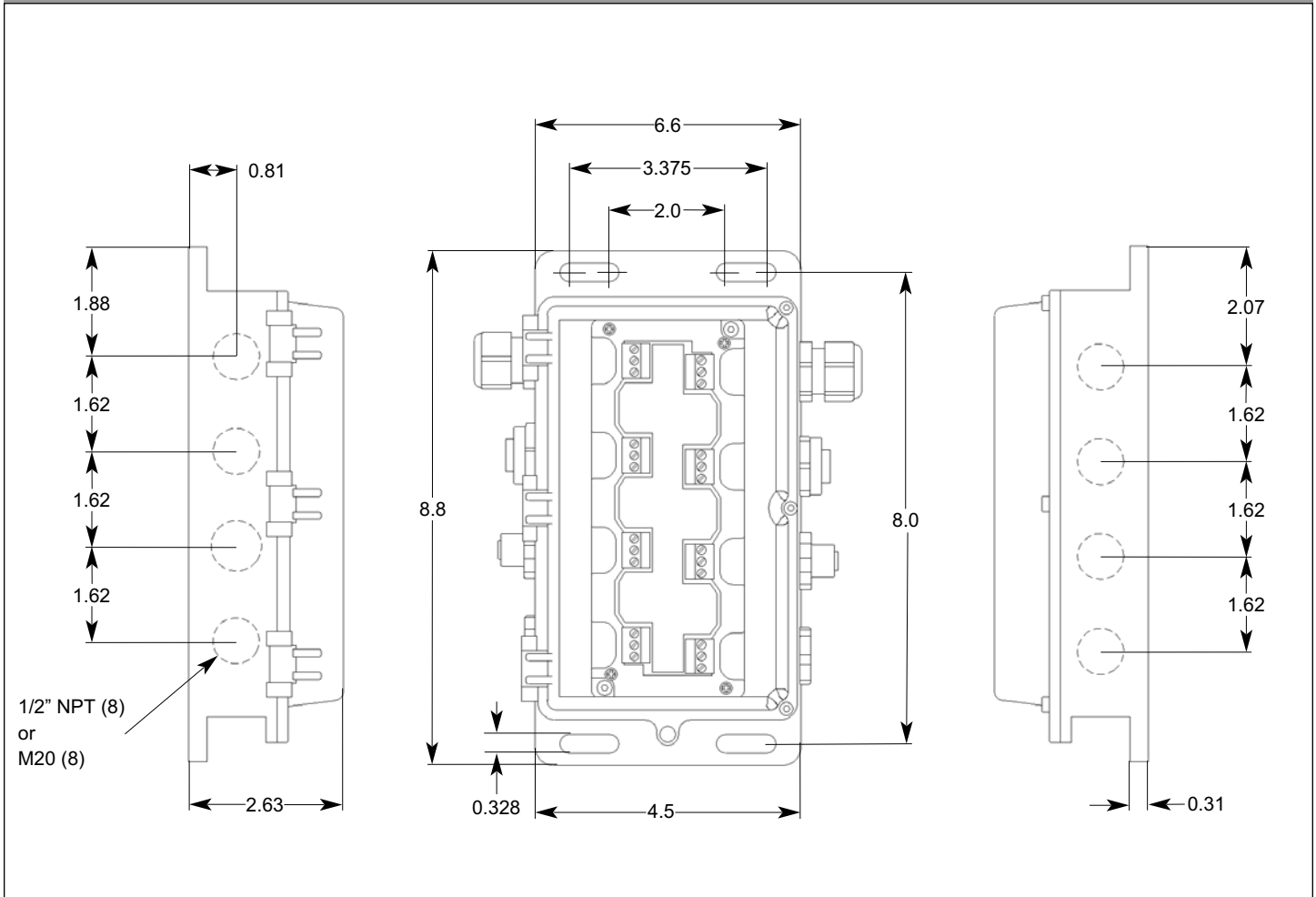
Telephone: 218.739.5774  
Toll Free: 800.843.7866  
Fax: 218.739.5776  
E-mail: [sales@stonel.com](mailto:sales@stonel.com)  
Website: [www.stonel.com](http://www.stonel.com)

	Function	Enclosure	Entry Options	Brand	Options
FN	<b>P04</b> Protected Drops, FOUNDATION Fieldbus (H1) or Profibus PA. (Bus In/Out and (6) Drops)	<b>C</b> North American (NEC/CEC) <b>D</b> International (IEC)	<b>P01</b> - (8) 1/2" NPT Conduit Entries <b>P02</b> - (8) M20 Conduit Entries <b>G01</b> - (8) Cable Glands <b>N01</b> - (8) 4-Pin Mini Connectors (1-Male; 7-Female) <b>M01</b> - (8) 4-Pin Micro Connectors (1-Male; 7-Female) <b>C01</b> - (2) 1/2" NPT Conduit Entries; (6) Cable Glands <b>C02</b> - (2) 1/2" NPT Conduit Entries; (6) 4-Pin Mini Connectors <b>C04</b> - (2) 1/2" NPT Conduit Entries; (6) 4-Pin Micro Connectors	<b>A</b> StoneL <b>M</b> Metso <b>N</b> Neles	_***** (Special)

**General Specifications**

<b>Materials of Construction</b>		<b>Operating Life</b>	Unlimited
Housing	Epoxy Coated Anodized Aluminum	<b>Temperature Range</b>	-40° to +80° C (-40° to 176° F)
Cover	Polycarbonate	<b>Enclosure Protection</b>	NEMA 4, 4X & 6; IP67
Elastomer Seals	Silicone	<b>Warranty</b>	Two Years
Fasteners	Stainless Steel		

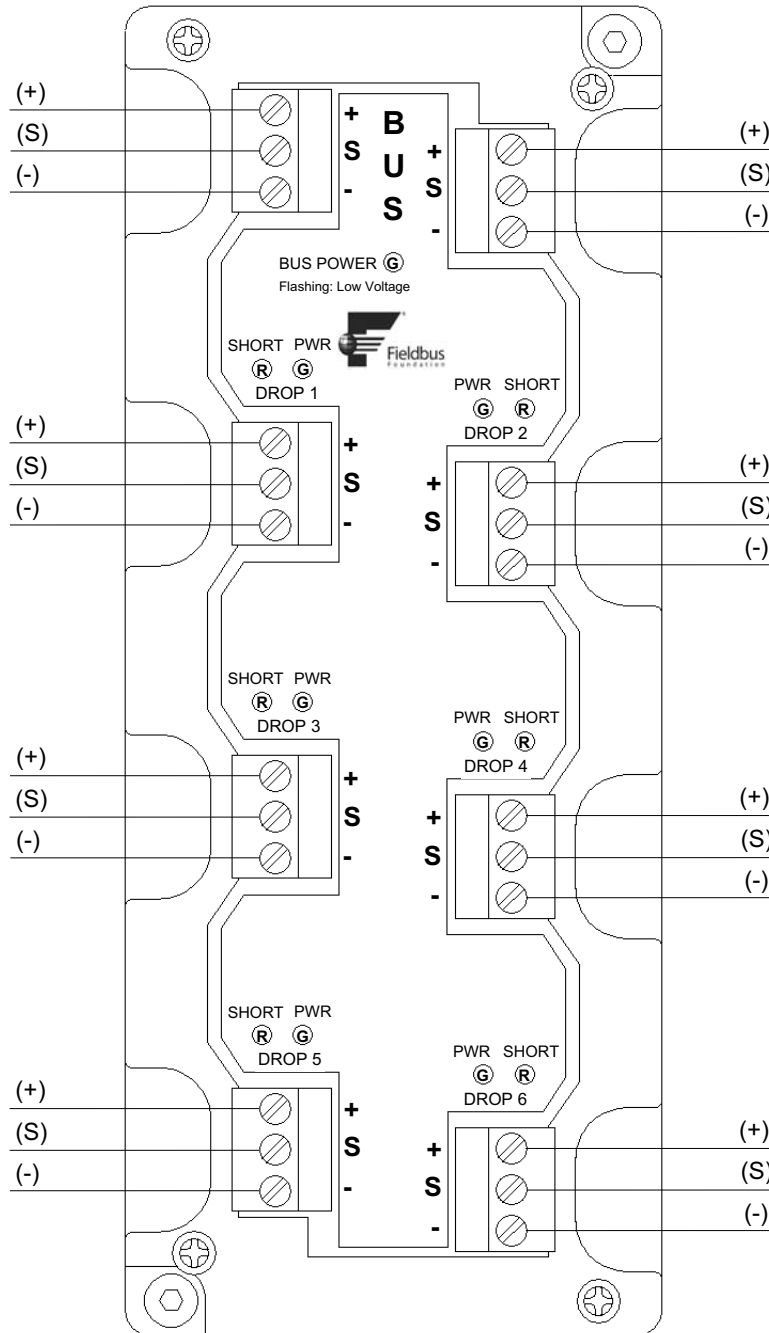
**Dimensions (in inches)**



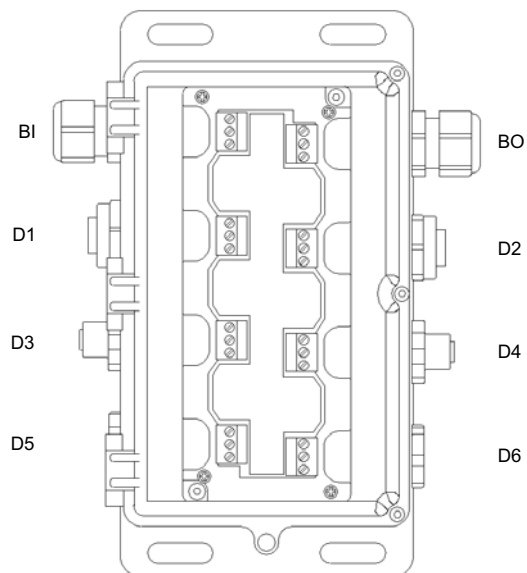
## FOUNDATION Fieldbus or Profibus PA Protected Drop Connector

Bus in, Bus out, and (6) Protected Drops for FOUNDATION Fieldbus or Profibus PA networks.

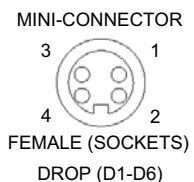
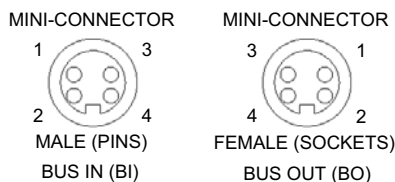
Voltage Range	32 VDC max	Current Consumption	20mA max
Operating Voltage	F/F or Profibus PA Voltage	Voltage Drop (Trunk)	Negligible
Current Rating	8 Amps (Bus)	Voltage Drop (Drop)	1.0 VDC max
Break Current	>40mA	LED Displays:	BUS POWER, Green LED (Flashing = low voltage)
Holding Current	28mA		PWR, Green LED, Drop Energized
Reset Current	<28mA		SHORT, Red LED, Drop in over-current state



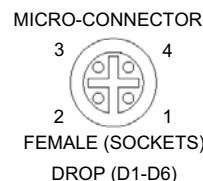
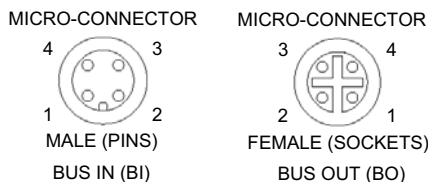
FNP04***					
BUS IN (BI) & BUS OUT (BO)					
PIN	WIRE COLOR	FNP04_N01_	FNP04_M01_	FNP04_C02_	FNP04_C04_
1	BROWN	(-)	(-)	N/A	N/A
2	WHITE	(+)	(+)	N/A	N/A
3	BLUE	Shield	Shield	N/A	N/A
4	No Connection	NOT USED	NOT USED	N/A	N/A
DROPS (D1- D6)					
1	BROWN	(-)	(-)	(-)	(-)
2	WHITE	(+)	(+)	(+)	(+)
3	BLUE	Shield	Shield	Shield	Shield
4	No Connection	NOT USED	NOT USED	NOT USED	NOT USED



### MINI RECEPTACLES



### MICRO RECEPTACLES (M12)



## FNP04 Mounting Instructions

### Mounting The FieldBlock Enclosure

1. Locate the position where the FieldBlock enclosure will be mounted. Ensure that hinged cover of the unit will have sufficient clearance to be opened.
2. Attach the FieldBlock enclosure to a wall or other stationary flat surface using the mounting holes provided.

### Attaching Cables and Connectors

1. Cable glands and connectors are provided for convenient wiring. Ensure all connections are securely tightened.
2. Follow all applicable NEC codes and other regulations.

### Installing & Removing Cover

1. To insure NEMA 4, 4X and 6 ratings are maintained the cover **must be** completely closed and the gasket sealed to keep out water.
2. Tighten cover screws to 05-30 inch lbs.