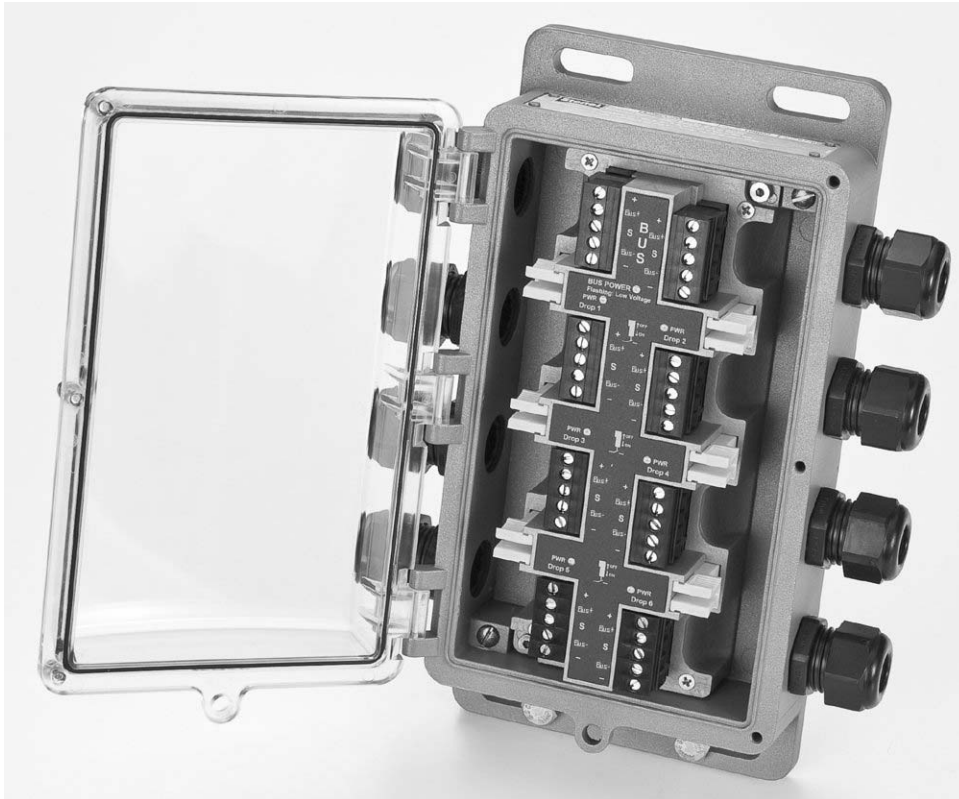


FieldBlock Nonincendive™ Enclosure (FN) with:

MODBUS (1-6) Switched Power Protected Drop Connector (FNS08____)



© 2008 StoneL Corporation

StoneL
One StoneL Dr
26271 US Hwy 59
Fergus Falls, MN 56537
USA

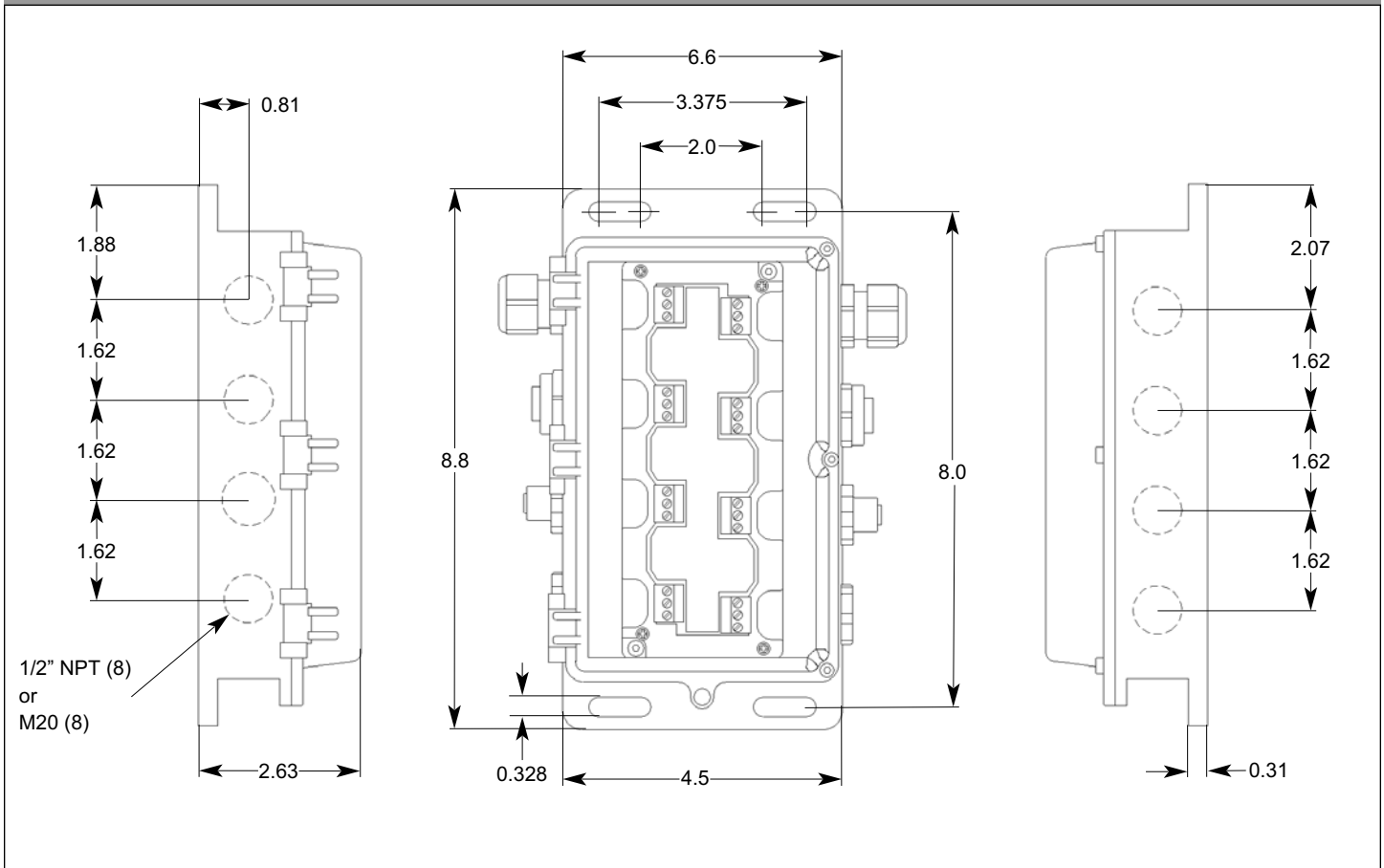
Telephone: 218.739.5774
Toll Free: 800.843.7866
Fax: 218.739.5776
E-mail: sales@stonel.com
Website: www.stonel.com

	Function	Enclosure	Entry Options	Brand	Options
FN	S08 Switched Power Protected Drops, Modbus (Bus In/Out and (6) Drops)	C North American (NEC/CEC) D International (IEC)	P01 - (8) 1/2" NPT Conduit Entries P02 - (8) M20 Conduit Entries G01 - (8) Small Cable Glands G02 - (2) Large Cable Glands (6) Small Cable Glands N02 - (8) 5-Pin Mini Connectors (1-Male; 7-Female) M02 - (8) 5-Pin Micro Connectors (1-Male; 7-Female) C01 - (2) 1/2" NPT Conduit Entries; (6) Cable Glands C03 - (2) 1/2" NPT Conduit Entries; (6) 5-Pin Mini Connectors C05 - (2) 1/2" NPT Conduit Entries; (6) 5-Pin Micro Connectors	A StoneL M Metso N Neles	_***** (Special)

General Specifications

Materials of Construction		Operating Life	Unlimited
Housing	Epoxy Coated Anodized Aluminum	Temperature Range	-40° to +80° C (-40° to 176° F)
Cover	Polycarbonate	Enclosure Protection	NEMA 4, 4X & 6; IP67
Elastomer Seals	Silicone	Warranty	Two Years
Fasteners	Stainless Steel		

Dimensions (in inches)

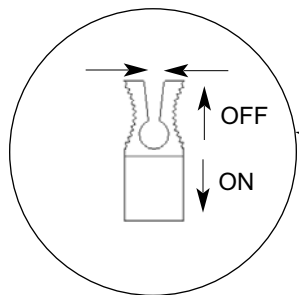


Modbus Switched Power Protected Drop Connector

Bus in, Bus out, and (6) Switched Power Protected Drops for Modbus networks.

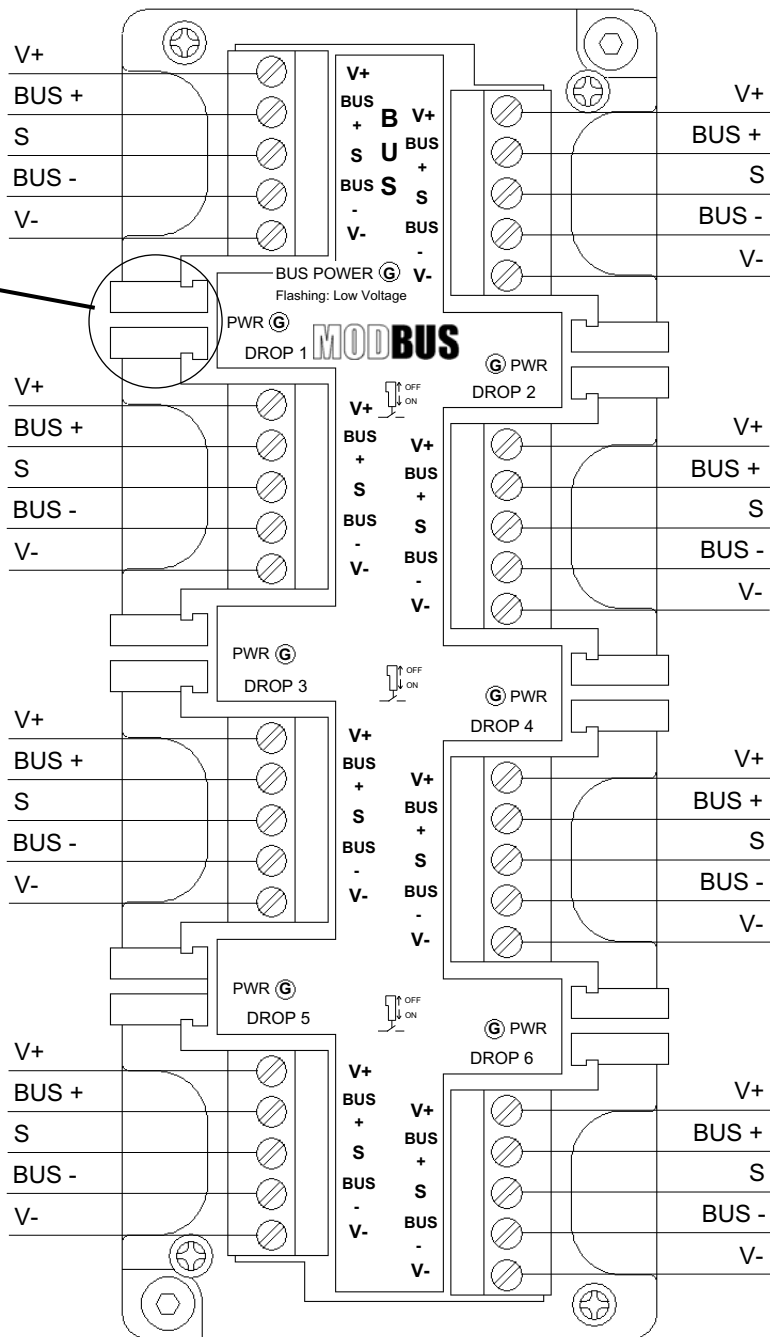
Voltage Range	30 VDC max	Current Consumption	10mA max
Operating Voltage	DeviceNet Voltage	Voltage Drop (Trunk)	Negligible
Current Rating	8 Amps (Bus)	Voltage Drop (Drop)	1.0 VDC max
Break Current	>240mA (on V+)*	LED Displays:	BUS POWER, Green LED (Flashing = low voltage)
Holding Current	28mA		PWR, Green LED, Drop Energized
Reset Current	<28mA		

*Short circuit protection only on V+. Communication wires are passive

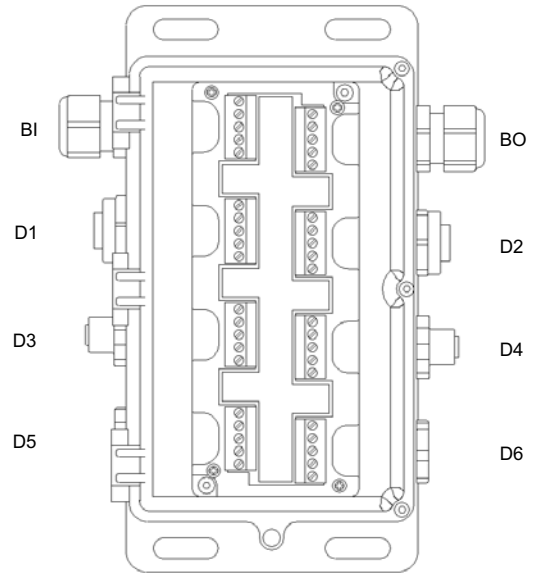


Drop Disconnect Switch Operation

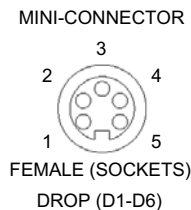
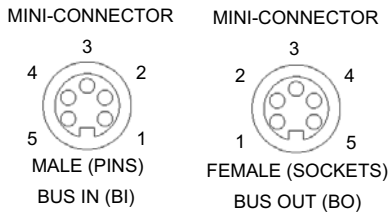
1. To energize a selected drop, compress "ears" of yellow disconnect switch with finger tips and push down. Green "PWR" LED of selected drop will light.
2. To de-energize a selected drop, compress "ears" of yellow disconnect switch with finger tips and pull up. Green "PWR" LED of selected drop will extinguish. Drop is now isolated from the network.



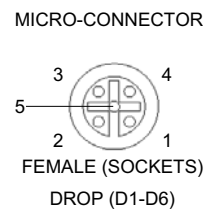
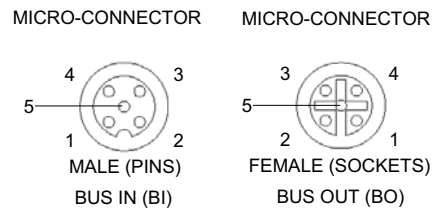
FNS08***					
BUS IN (BI) & BUS OUT (BO)					
PIN	WIRE COLOR	FNS08_N02_	FNS08_M02_	FNS08_C03_	FNS08_C05_
1	BROWN	Shield	Shield	N/A	N/A
2	WHITE	V +	V +	N/A	N/A
3	BLUE	V -	V -	N/A	N/A
4	BLACK	BUS +	BUS +	N/A	N/A
5	GRAY	BUS -	BUS -	N/A	N/A
DROPS (D1 - D6)					
1	BROWN	Shield	Shield	Shield	Shield
2	WHITE	V +	V +	V +	V +
3	BLUE	V -	V -	V -	V -
4	BLACK	BUS +	BUS +	BUS +	BUS +
5	GRAY	BUS -	BUS -	BUS -	BUS -



MINI RECEPTACLES



MICRO RECEPTACLES (M12)



FNS08 Mounting Instructions

Mounting The FieldBlock Enclosure

1. Locate the position where the FieldBlock enclosure will be mounted. Ensure that hinged cover of the unit will have sufficient clearance to be opened.
2. Attach the FieldBlock enclosure to a wall or other stationary flat surface using the mounting holes provided.

Attaching Cables and Connectors

1. Cable glands and connectors are provided for convenient wiring. Ensure all connections are securely tightened.
2. Follow all applicable NEC codes and other regulations.

Installing & Removing Cover

1. To insure NEMA 4, 4X and 6 ratings are maintained the cover **must be** completely closed and the gasket sealed to keep out water.
2. Tighten cover screws to 05-30 inch lbs.