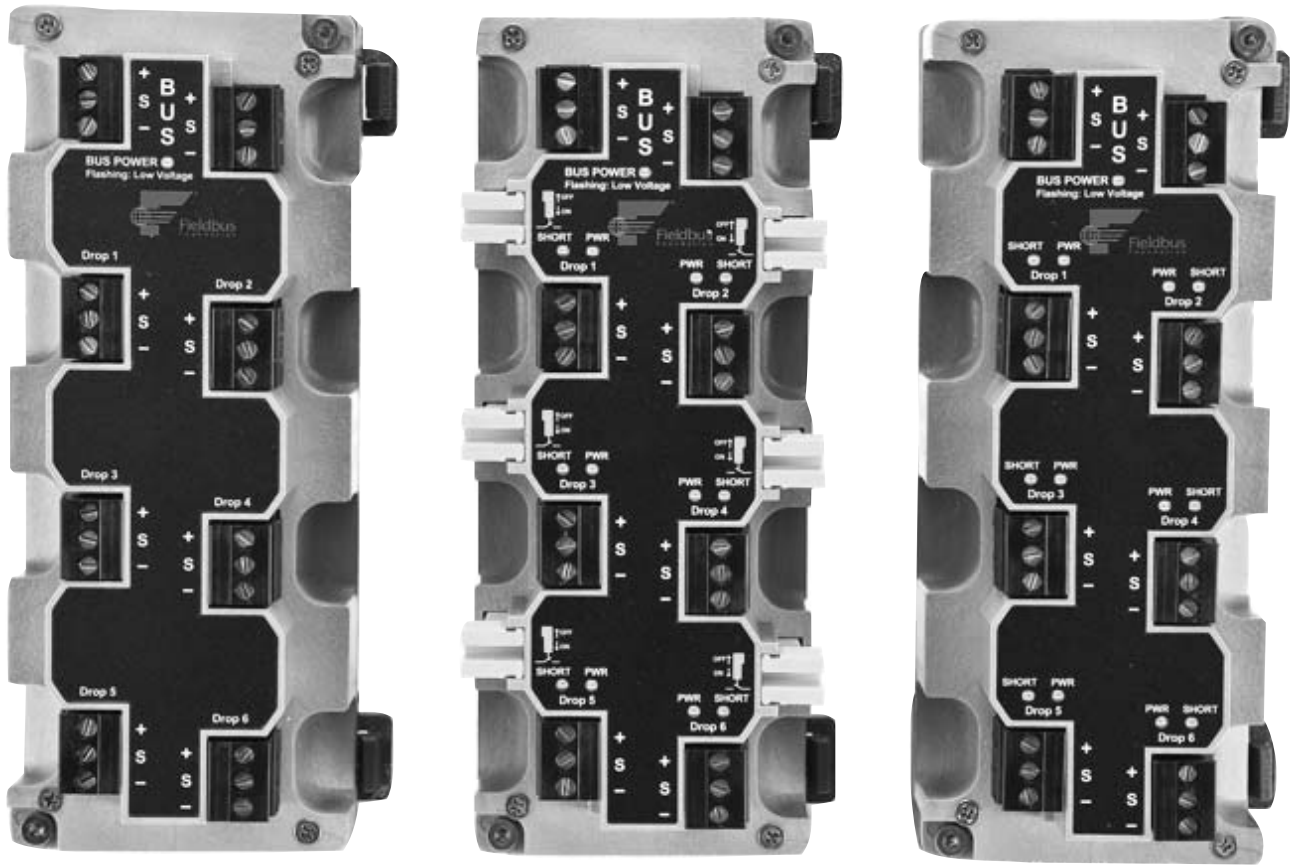




FOUNDATION Fieldbus and Profibus PA (1-6)
DIN Rail Mount Drop Connectors



StoneL®
Valve Communication Solutions

StoneL
One StoneL Dr
26271 US Hwy 59
Fergus Falls, MN 56537
USA

© 2011 StoneL

Telephone: 218.739.5774
Toll Free: 800.843.7866
Fax: 218.739.5776
E-mail: sales@stonel.com
Website: www.stonel.com

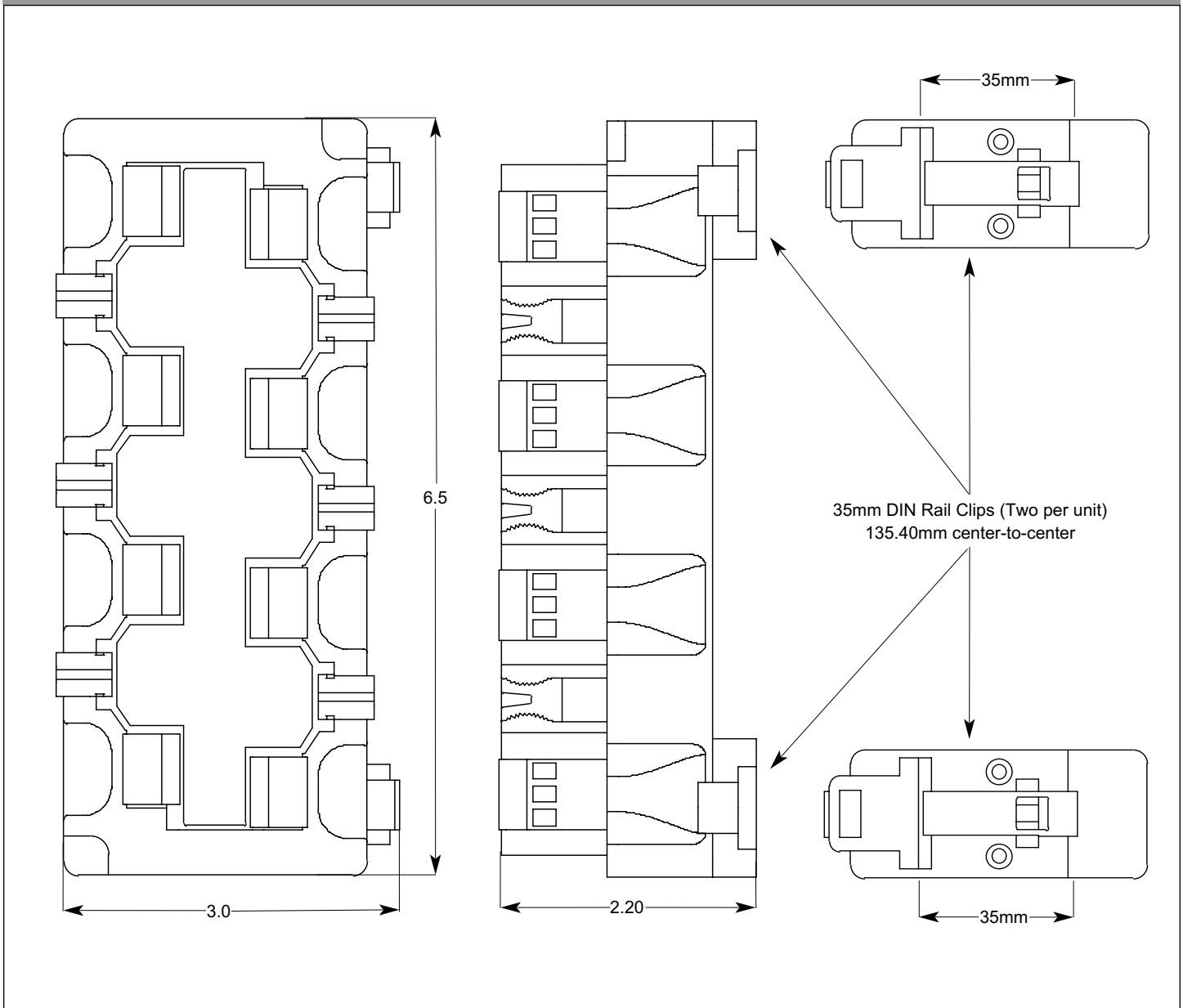
Table Of Contents Page 2
Module Guide Page 3
General Specifications and Ratings Page 3
Dimensional Data Page 3
DR465037_ FF/Profibus PA Passive Drop Connector (Bus In/Out and (6) Drops) Page 4
DR465041_ FF/Profibus PA Protected (40mA) Drop Connector (Bus In/Out and (6) Drops) Page 5
DR465045_ FF/Profibus PA Switched Protected (40mA) Drop Connector (Bus In/Out and (6) Drops) Page 6

	Function	Brand	Options
DR	465037 FF/Profibus PA Passive Drop Connector (Bus In/Out and (6) Drops) 465041 FF/Profibus PA Protected (40mA) Drop Connector (Bus In/Out and (6) Drops) 465045 FF/Profibus PA Switched Protected (40mA) Drop Connector (Bus In/Out and (6) Drops)	A StoneL M Metso	-***** (Special)

General Specifications

Materials of Construction Housing Glass Filled Polycarbonate Fasteners Stainless Steel	Operating Life Unlimited Temperature Range -40° to +80° C (-40° to 176° F) Enclosure Protection IP20 Warranty Two Years
---	--

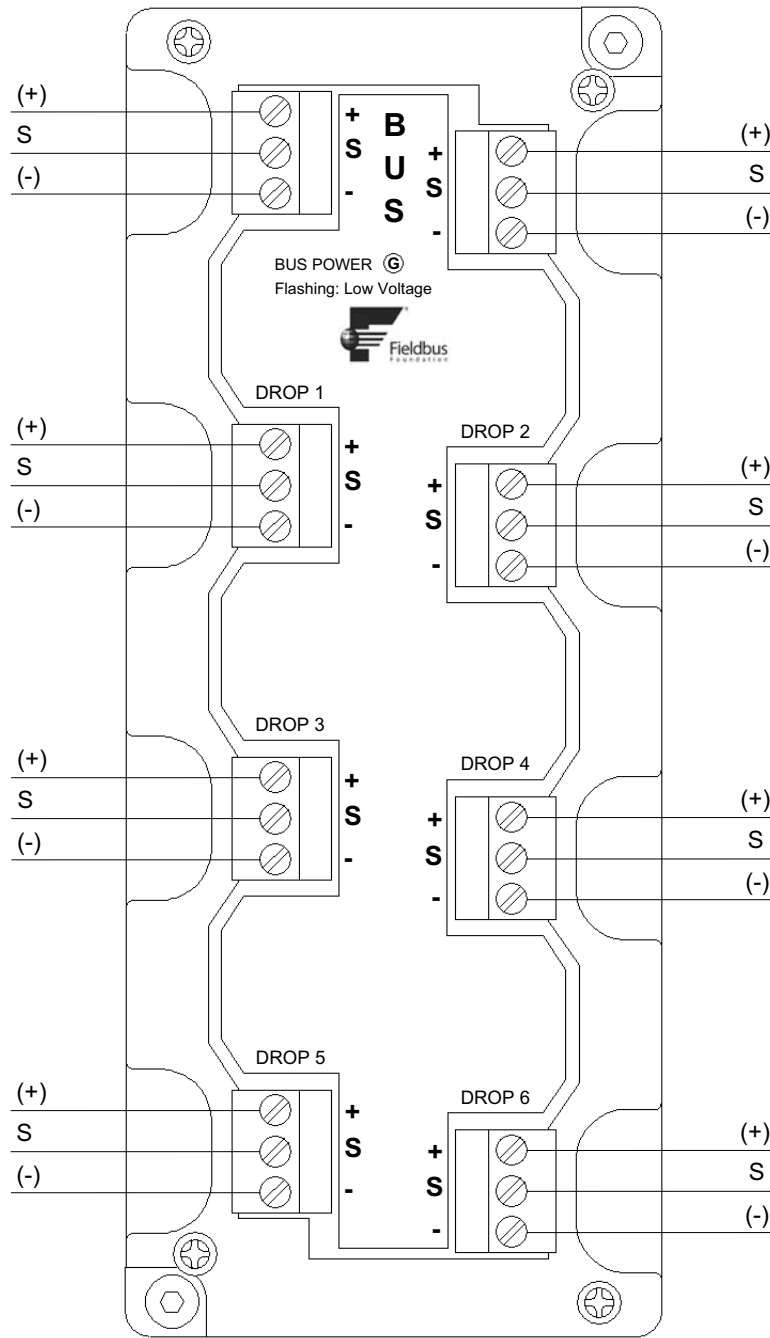
Dimensions in inches



FOUNDATION Fieldbus and Profibus PA Passive Drop Connector

Bus in, Bus out, and (6) Passive Drops for FOUNDATION Fieldbus and Profibus PA networks.

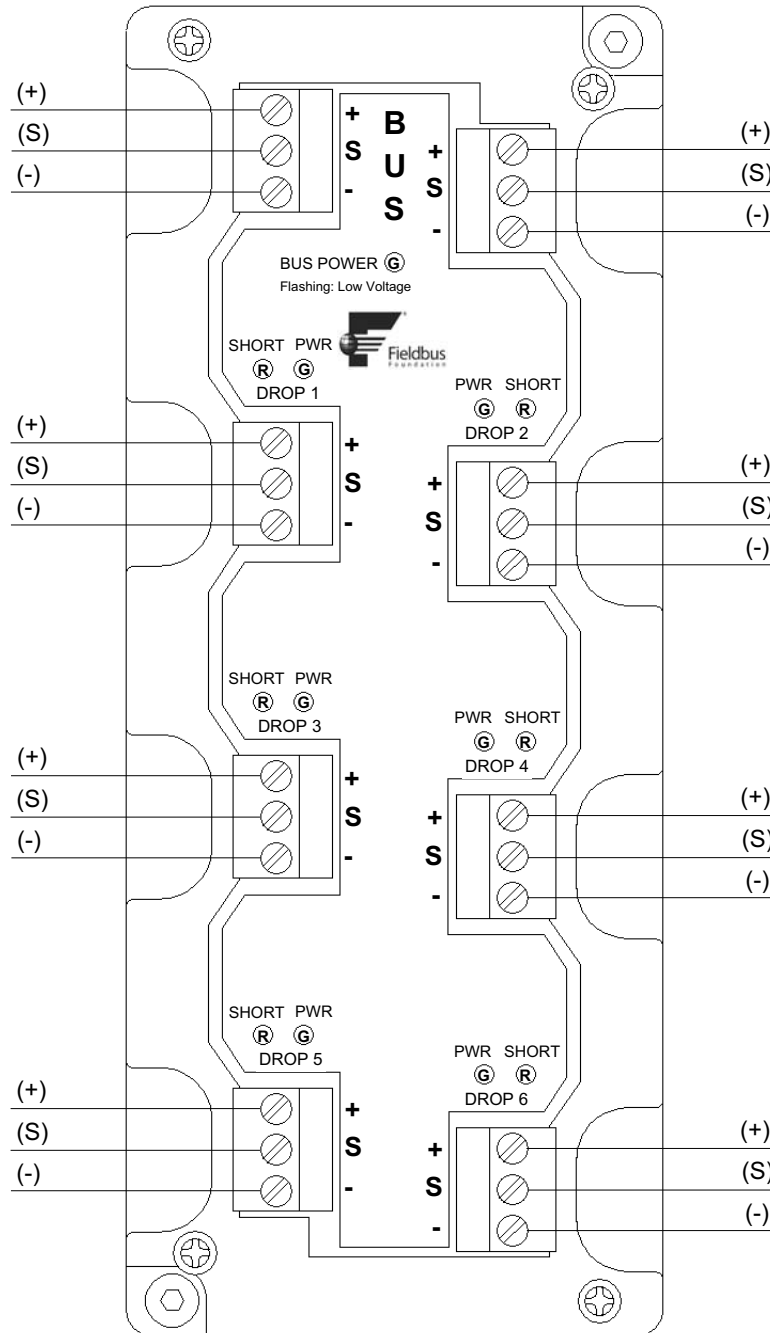
Voltage Range	35VDC	Current Consumption	20mA max
Operating Voltage	F/F or Profibus PA Voltage	Voltage Drop (Trunk)	Negligible
Current Rating	8 Amps	Voltage Drop (Spur)	Negligible
Break Current	None	LED Display:	BUS POWER, Green LED (Flashing = low voltage)
Reset Current	None		



FOUNDATION Fieldbus and Profibus PA Protected Drop Connector

Bus in, Bus out, and (6) Protected Drops for FOUNDATION Fieldbus and Profibus PA networks.

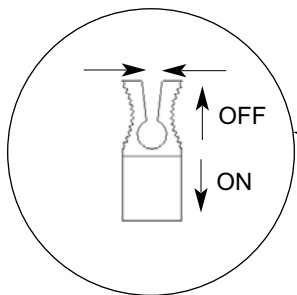
Voltage Range	32 VDC max	Current Consumption	20mA max
Operating Voltage	F/F or Profibus PA Voltage	Voltage Drop (Trunk)	Negligible
Current Rating	8 Amps (Bus)	Voltage Drop (Drop)	1.0 VDC max
Break Current	>40mA	LED Displays:	BUS POWER, Green LED (Flashing = low voltage)
Holding Current	28mA		PWR, Green LED, Drop Energized
Reset Current	<28mA		SHORT, Red LED, Drop in over-current state



FOUNDATION Fieldbus and Profibus PA Switched Protected Drop Connector

Bus in, Bus out, and (6) Switched Protected Drops for FOUNDATION Fieldbus and Profibus PA networks.

Voltage Range	32 VDC max	Current Consumption	20mA max
Operating Voltage	F/F or Profibus PA Voltage	Voltage Drop (Trunk)	Negligible
Current Rating	8 Amps (Bus)	Voltage Drop (Drop)	1.0 VDC max
Break Current	>40mA	LED Displays:	BUS POWER, Green LED (Flashing = low voltage)
Holding Current	28mA		PWR, Green LED, Drop Energized
Reset Current	<28mA		SHORT, Red LED, Drop in over-current state



Drop Disconnect Switch Operation

1. To energize a selected drop, compress "ears" of yellow disconnect switch with finger tips and push down. Green "PWR" LED of selected drop will light.
2. To de-energize a selected drop, compress "ears" of yellow disconnect switch with finger tips and pull up. Green "PWR" LED of selected drop will extinguish. Drop is now isolated from the network.

