

Drop connectors

Model number
DR461056A
DR465004A (DIN)

MODBUS

Passive multi-drop connector (2 drops)

This multi-drop connector is compact with direct mount for wiring Profibus-DP/Modbus networks. It provides terminations for bus in, bus out, and two (2) individual drops or spurs.

Features

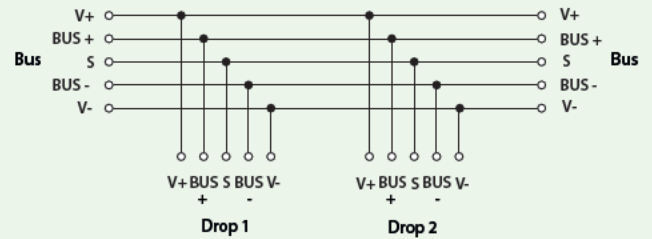
- Direct mount or DIN rail mount available
- IP20 housing



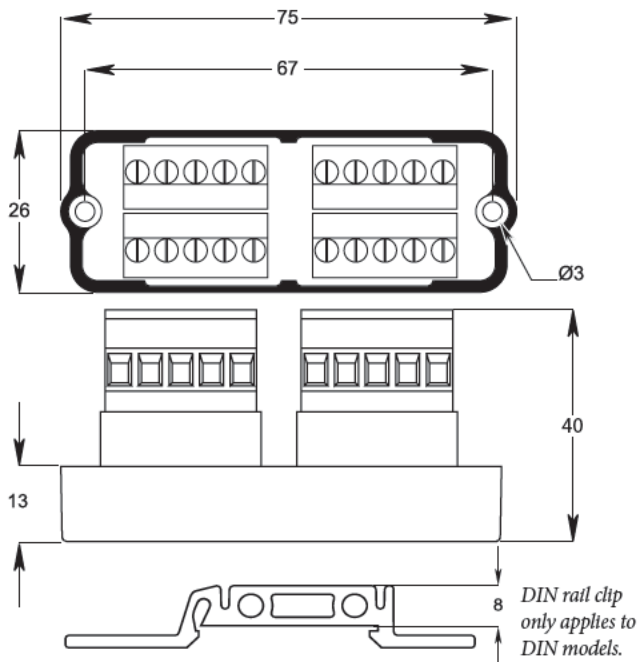
Specifications	
Maximum voltage	35 VDC
Maximum current (trunk)	8 amps
Voltage drop (trunk)	Negligible
Voltage drop (drop)	Negligible
Trip current (drop)	No trip current
Maximum devices per drop	No limit
Current consumption	None
Dimensions (L, W, H)	75mm, 26mm, 40mm
Housing	Engineered resin
Operating temperature	-40° to +80°C (-40° to +176°F)



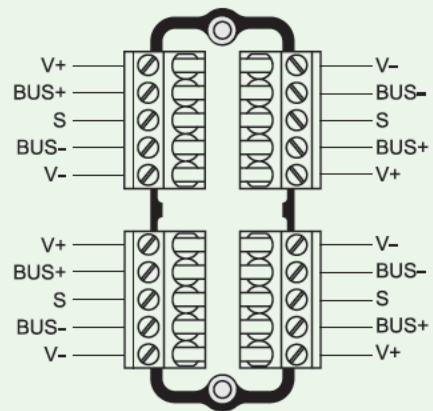
Schematic drawing



Dimensions (mm)



Wiring diagram





Valmet's professionals around the world work close to our customers and are committed to moving our customers' performance forward – every day.

Valmet Flow Control Oy

Vanha Porvoontie 229
01380 Vantaa, Finland
flowcontrol@valmet.com
+358 10 417 5000
valmet.com/flowcontrol

**Valmet Flow Control Inc.
Stonel product center**

26271 US Hwy 59, Fergus Falls, MN 56537 USA.
Tel. +1 218 739 5774.
sales.stonel@valmet.com
valmet.com/flowcontrol

