

Input/relay output modules

Model number

IM461083A

Interlocking

IM465018A (DIN)

Interlocking

IM461084A

Independent

IM465019A (DIN)

Independent



This I/O module is designed to function as a DeviceNet node with termination points for connecting switches/sensors, as well as relay outputs, to operate devices like motors and other high power devices. Outputs can be interlocked to operate AC motors or independent to operate independent AC loads. Outputs can be configured to fail on or off.

Inputs and outputs

- Two (2) discrete inputs
- Two (2) discrete (relay) outputs
- One (1) analog input state

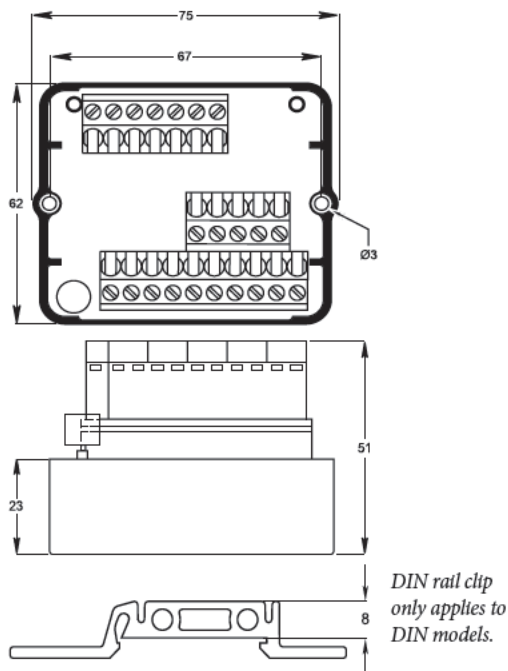
Other data

- Pre-determined output fail state

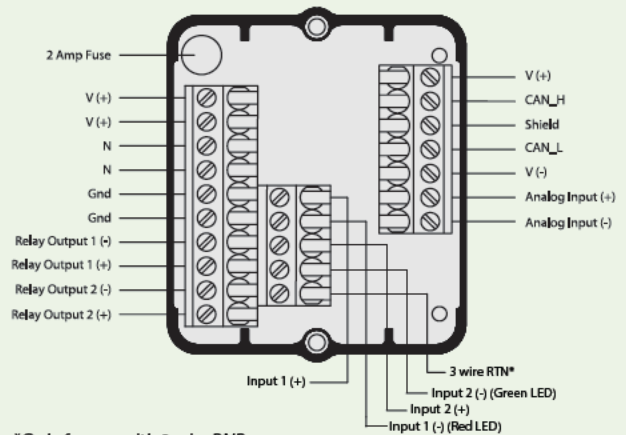


Specifications	
Discrete inputs	(2) 7 mA @ 24 VDC gold contact mechanical, low power reed, or proximity sensor
Discrete outputs (relay)	independent (2) 120/250 VAC @ 2A independent for other AC loads
	interlocking (2) 120/250 VAC @ 2A interlocked for motor operation
Analog input	(1) analog (4-20 mA) input 10-bit resolution (0.1%)
Operating voltage	24 VDC via DeviceNet voltage
Current consumption	< 60 mA (with no outputs energized)
Indication	(2) LEDs indicate discrete input status (red/green)
External voltage (relay outputs)	Up to 250 VAC; 30 VDC
Dimensions (L, W, H)	75mm, 62mm, 51mm
Housing	Engineered resin
Operating temperature	-40° to +80°C (-40° to +176°F)

Dimensions (mm)



Wiring diagram



*Only for use with 3 wire PNP sensors

DeviceNet features

Device type	Generic
Explicit peer-to-peer messaging	N
I/O peer-to-peer messaging	N
Configuration consistency value	N
Faulted node recovery	N
Baud rates	125K, 250K, 500K
Master/scanner	N

I/O slave messaging

Device type	Generic
Bit strobe	N
Polling	Y
Cyclic	Y
Change of state	Y



Valmet's professionals around the world work close to our customers and are committed to moving our customers' performance forward – every day.

Valmet Flow Control Oy

Vanha Porvoontie 229
01380 Vantaa, Finland
flowcontrol@valmet.com
+358 10 417 5000
valmet.com/flowcontrol

**Valmet Flow Control Inc.
Stonel product center**

26271 US Hwy 59, Fergus Falls, MN 56537 USA.
Tel. +1 218 739 5774.
sales.stonel@valmet.com
valmet.com/flowcontrol

