

## Drop connectors (DIN)

Model number

**DR465038A**

*Passive*

**DR465042A**

*Protected*

### Multi-drop connector (6 drops)

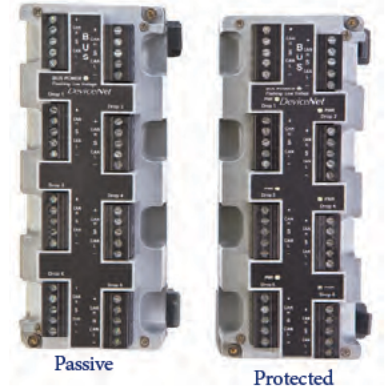
Drop connectors provide a reliable, safe method of connecting slave devices to the bus cable. Protected drop connectors limit the current passing from the bus to the power leg (V+) of the drop to prevent fault conditions on the drop from affecting the bus. DIN rail mounting is standard.

#### Passive

- 8 amp capacity
- LED indicates bus power

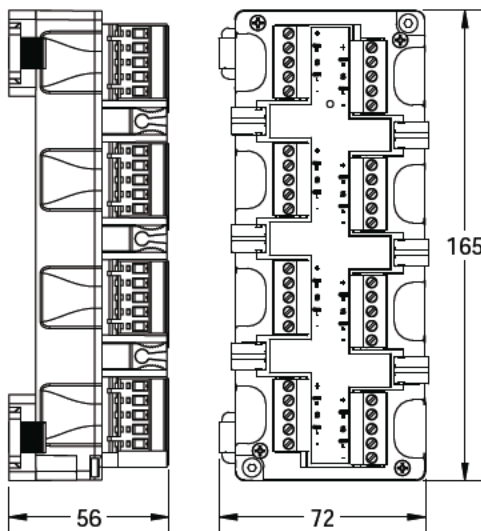
#### Power protected

- Short circuit protection
- LEDs indicate drop fault, bus power, and drop power
- Automatically resets when drop fault is cleared



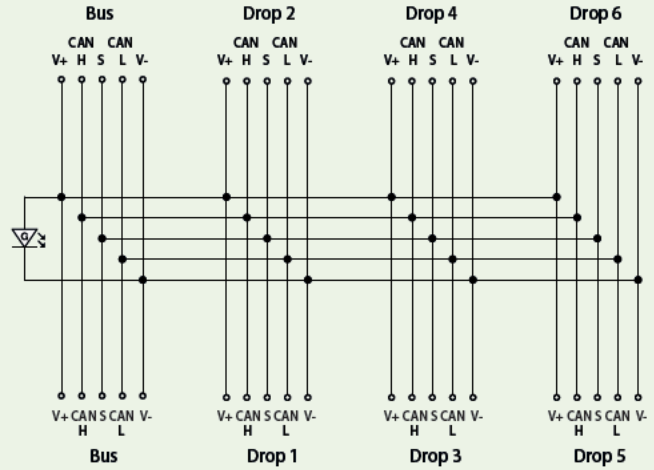
Specifications	
LED displays	Bus power on - green LED Drop power on - green LED (protected) Drop short circuit - red LED (protected)
Maximum voltage	35 VDC
Maximum current (trunk)	8 amp
Voltage drop (trunk)	Negligible
Voltage drop (drop)	Passive: negligible Protected: <1 Volt
Trip current (drop)	Passive: no trip current Protected: 240mA (on V+)*
Holding current (after trip)	Passive: n/a Protected: 28mA
Reset current level	Current falls below 28mA
Current consumption	10mA for all nodes
Dimensions (L, W, H)	165mm, 72mm, 56mm
Housing	Engineered resin
Operating temperature	-40° to +80°C (-40° to +176°F)
*Short circuit protection only on V+. Communication wires are passive.	

### Dimensions (mm)

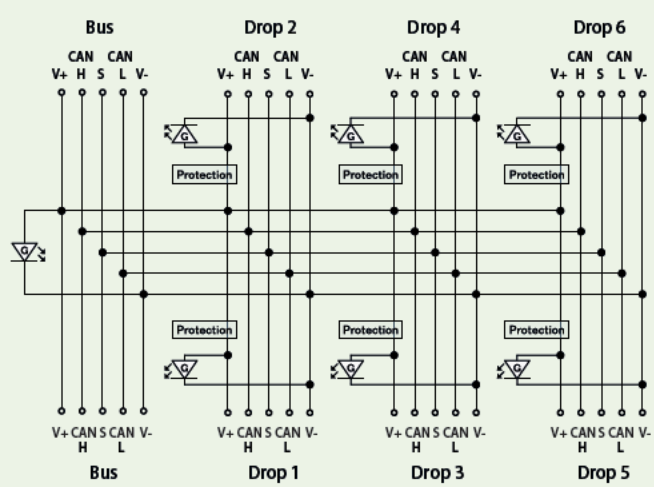


### Schematic drawings

#### Passive



#### Protected





Valmet's professionals around the world work close to our customers and are committed to moving our customers' performance forward – every day.

**Valmet Flow Control Oy**

Vanha Porvoontie 229  
01380 Vantaa, Finland  
flowcontrol@valmet.com  
+358 10 417 5000  
valmet.com/flowcontrol

**Valmet Flow Control Inc.  
Stonel product center**

26271 US Hwy 59, Fergus Falls, MN 56537 USA.  
Tel. +1 218 739 5774.  
sales.stonel@valmet.com  
valmet.com/flowcontrol

