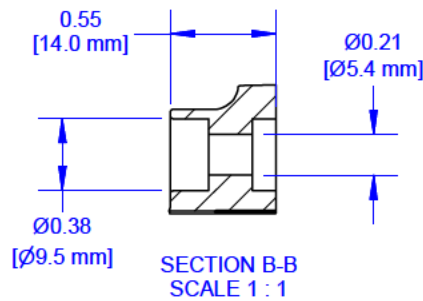
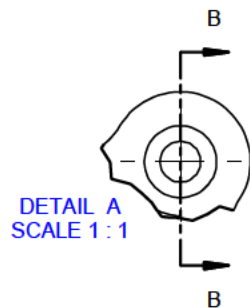



NOTE:

- 1) DIMENSIONS INCHES [mm].
- 2) CONSULT FACTORY FOR CONDUIT / CONNECTOR SIZE ON SPECIFIC MODELS.
- 3) COVER SWING CLEARANCE = 3" [76.2 mm]
- 4) MOUNTING HARDWARE REQUIRED AND SOLD SEPARATELY.



REVISIONS	C	18887	10/5/22	RB	PUBLIC THIS DRAWING AND ALL INFORMATION CONTAINED HEREIN IS THE PROPERTY OF AND IS SUBJECT TO CHANGE BY VALMET.	 FERGUS FALLS, MN 56537 USA					
	B	16608	08/04/2020	BK							
	A	7849	1/24/2012	DB							
	REVISION	ECO	DATE	BY							
TOLERANCES* (UNLESS OTHERWISE SPECIFIED):					DR.	TITLE					
X.XXX ± .005		ANGLES ± 0° 30'		DB	DIMENSIONAL DATA, ECLIPSE EN						
X.XX ± .010		FINISH f 125 RMS		CHK.	MB	SCALE	1:2	SHEET	1 OF 1	DRAWING NO.	REV.
X/X ± .015		*DIMENSIONS: INCHES (UNLESS OTHERWISE SPECIFIED)		APPD.	RA	SIZE	A	DATE	1/23/2012	500124	C

CERTIFIED TO BE DIMENSIONALLY CORRECT.