

## Input/output modules

Model number  
 IO97Y02FA  
 IO97W02FA (DIN)



These I/O modules are designed to function as an AS-Interface slave device with termination points for connecting switches/sensors as well as output devices, such as solenoid valves and relays.

### Features

- Four (4) discrete inputs
- Three (3) power outputs
- LED input and output status displays
- AS-Interface power ok LED

- Direct mount or DIN rail mount available
- Extended addressing feature (A/B addresses) 62 per network



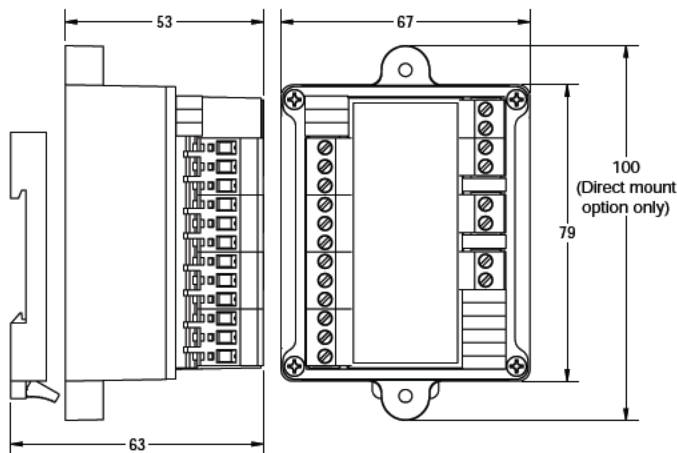
Specifications	
AS-Interface profile	ID = A, I/O = 7 (4DI, 3DO)
Discrete inputs	(4) 3 mA @ 28 VDC; gold contact mechanical, low power reed, or proximity sensor
Discrete outputs	(3) 28 VDC (4 watts total power available)
Operating voltage	AS-Interface voltage
Current consumption	< 40 mA (with no outputs energized)
Indication	(4) input state LEDs (green) (3) output state LEDs (green) (1) AS-I power ok LED (green)
Dimensions (L, W, H)	100mm, 67mm, 63mm
Housing	Engineered resin
Operating temperature	-40° to +80°C (-40° to +176°F)

### AS-Interface profile and data locations

Input data  
 Input 0 = DIO  
 Input 1 = DI1  
 Input 2 = DI2  
 Input 3 = DI3

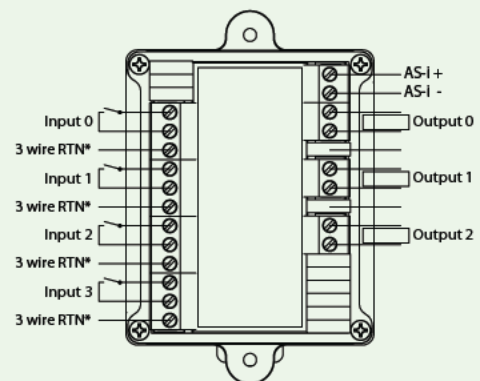
Output data  
 Output 0 = DO0  
 Output 1 = DO1  
 Output 2 = DO2  
 Output 3 = N/A

### Dimensions (mm)



DIN rail clip only applies to DIN models

### Wiring diagram



\*Only for use with 3 wire PNP sensors



Valmet's professionals  
around the world work close  
to our customers and are  
committed to moving our  
customers' performance  
forward – every day.

**Valmet Flow Control Oy**

Vanha Porvoontie 229  
01380 Vantaa, Finland  
flowcontrol@valmet.com  
+358 10 417 5000  
valmet.com/flowcontrol

**Valmet Flow Control Inc.  
Stonel product center**

26271 US Hwy 59, Fergus Falls, MN 56537 USA.  
Tel. +1 218 739 5774.  
sales.stonel@valmet.com  
valmet.com/flowcontrol

