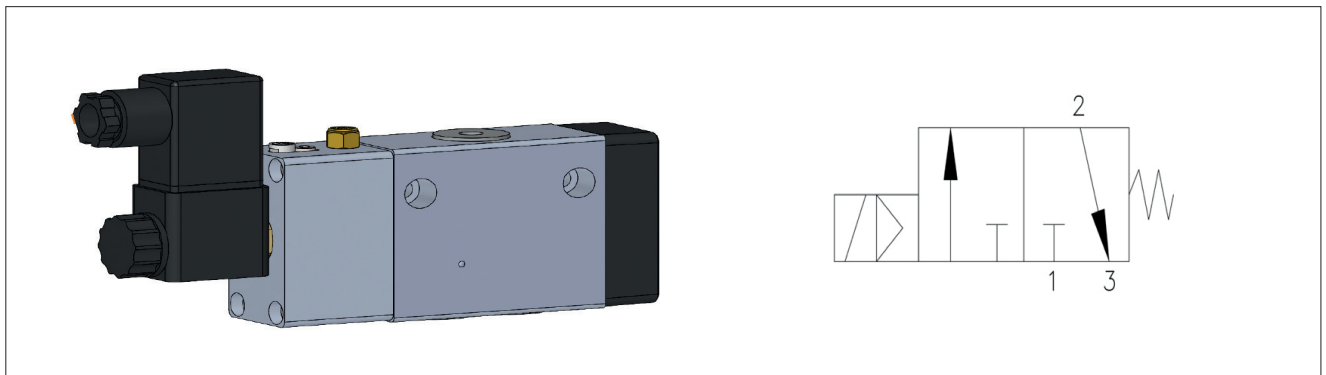


Neles Easyflow™ high capacity solenoid valves

Series DAQ and VAQ version 2

3/2 way solenoid valve

Model no. DAQ213 / DAQ313 / DAQ413



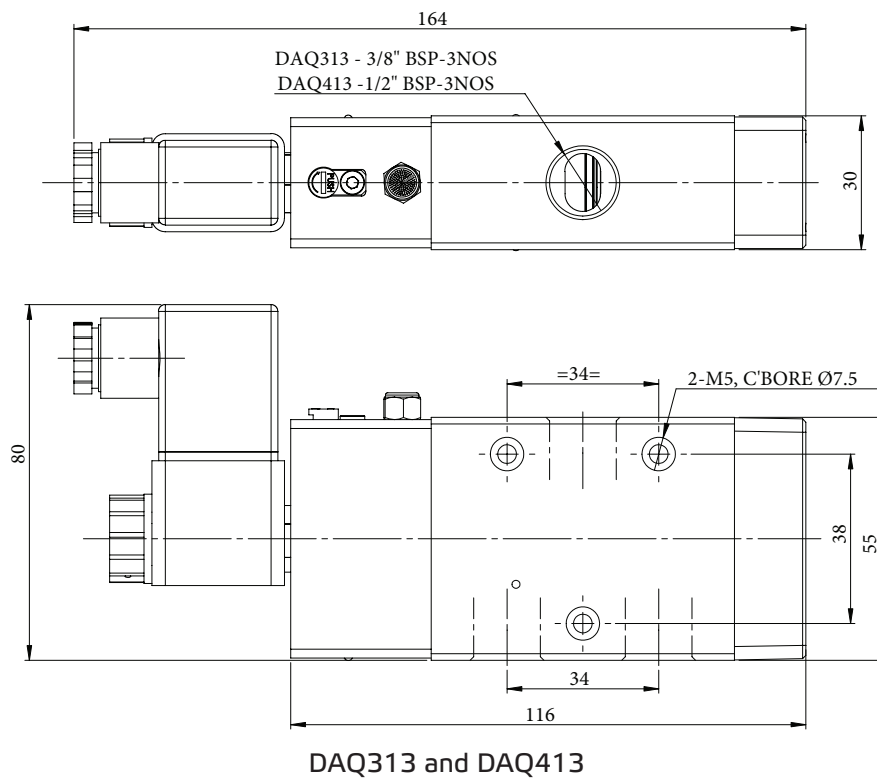
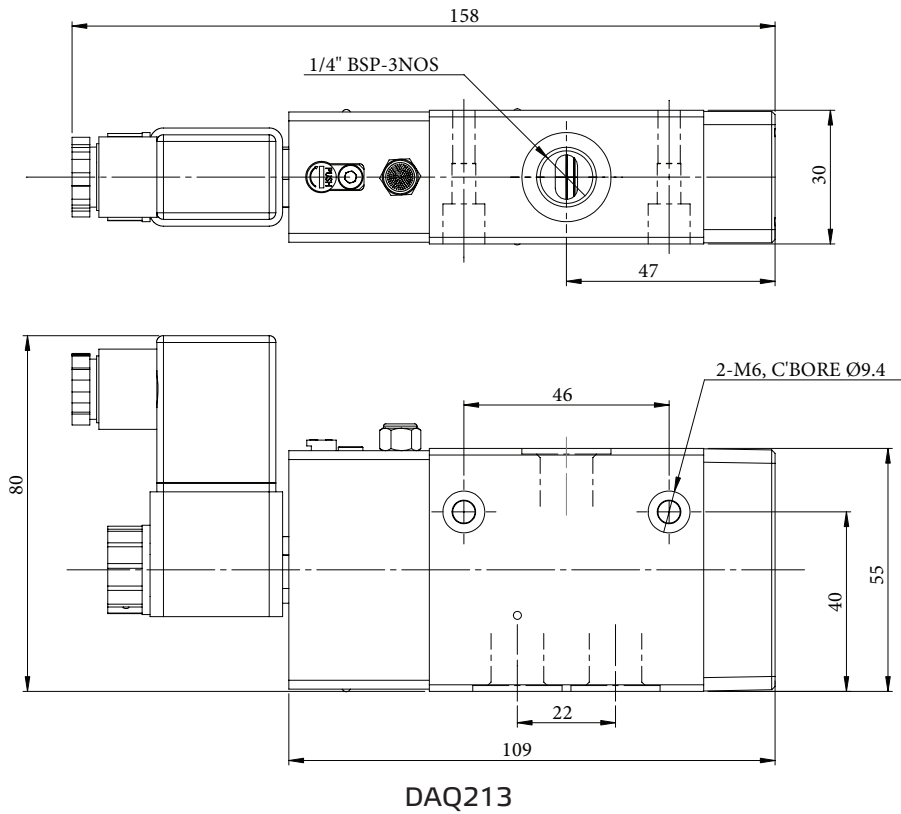
Features

- Mounts in any position
- High flow solenoid valves
- Helping piston improves valves performance & reliability
- Solenoid capable of turning 360°
- Solenoid continuous duty rated
- Noiseless performance
- Available in BSP & NPT port thread type
- Spring & air return ensures healthy valve operation in case of spring failure also
- IP certification
- Exd coil certification

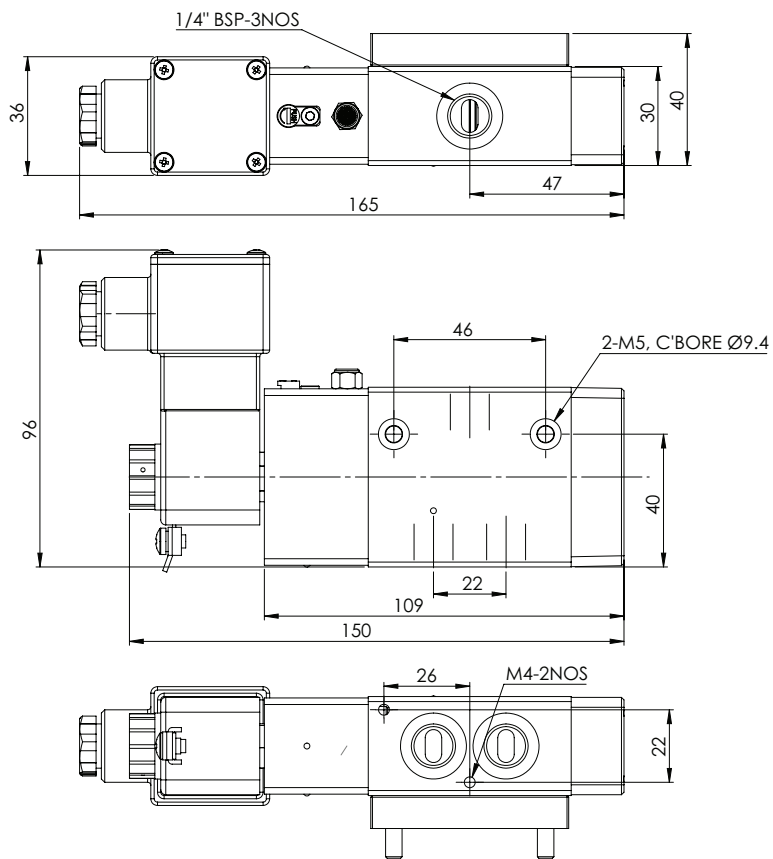
Technical specification

Model	DAQ213	DAQ313	DAQ413
Type	3/2 way spool design, single coil, spring & air return direction control valve		
Media	Compressed air, 25 µm. Filtered, lubricated or unlubricated		
Mounting	Through holes in housing, also suitable for mounting on manifold		
Orifice (mm)	6.7	10	10
Flow factor (kv) (L/min)	15	38	38
Port size	1/4"	3/8"	1/2"
Operating pressure range (bar)	3-10		
Temperature range (°C)	-10 to 70		
Response time at 5 bar	On time 28 ms, Off time 36 ms	On time 32 ms, Off time 48 ms	
Manual override type	Push type & rotate to lock		
Operating voltage	AC (50 Hz) - 110, 220	DC - 12, 24, 48	
Duty cycle	Continuous		
Coil insulation class	F		
Valve body MOC	Aluminium		
Seals MOC	NBR		
Coil	Exproof(Exd) / Weatherproof(IP)		

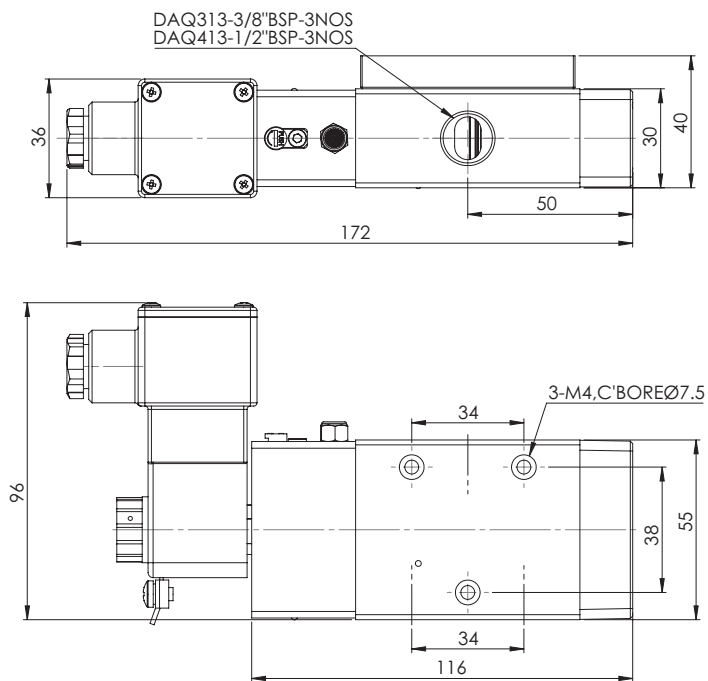
Dimensional drawings



Dimensional drawings with Exd coils



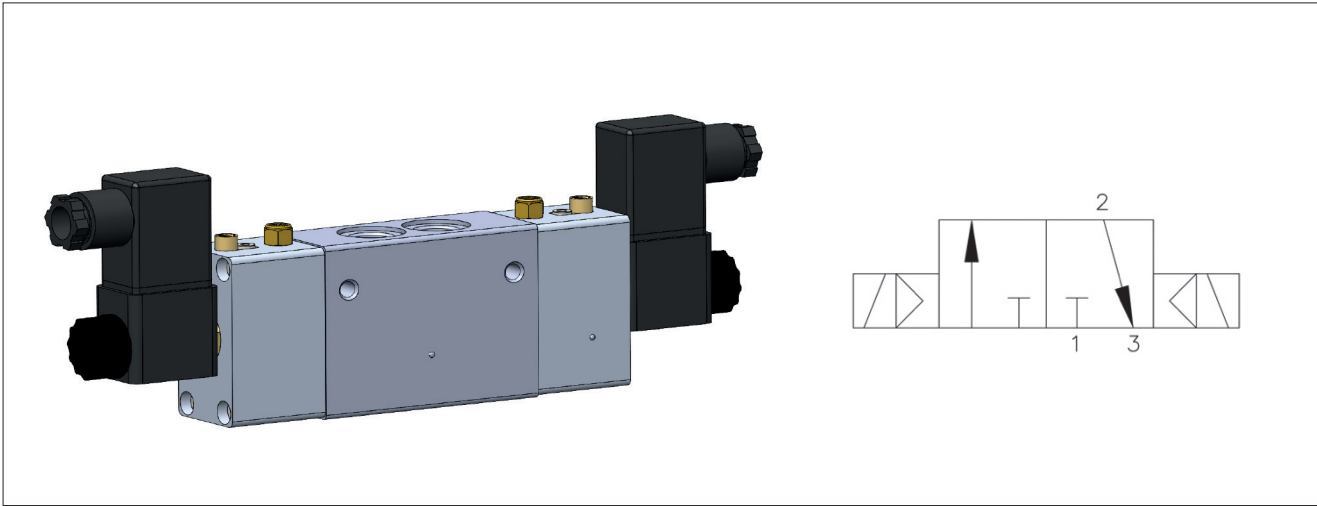
DAQ 213



DAQ313 and DAQ413

3/2 way solenoid valve

Model no. DAQ214 / DAQ314 / DAQ414



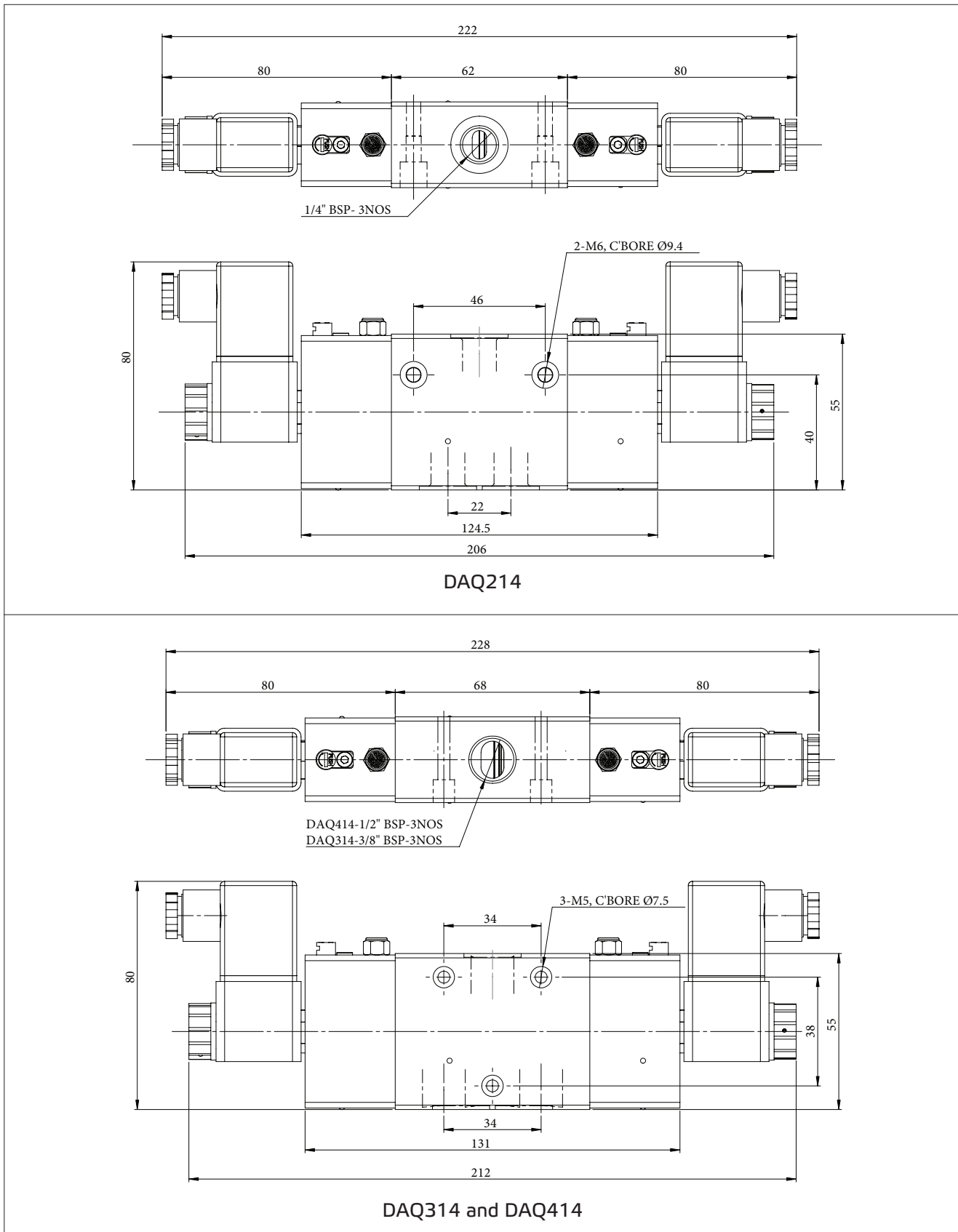
Features

- Mounts in any position
- High flow solenoid valves.
- Helping piston improves valves performance & reliability
- Solenoid capable of turning 360°
- Solenoid continuous duty rated
- Noiseless performance
- Available in BSP & NPT port thread type
- IP Certification
- Exd certification

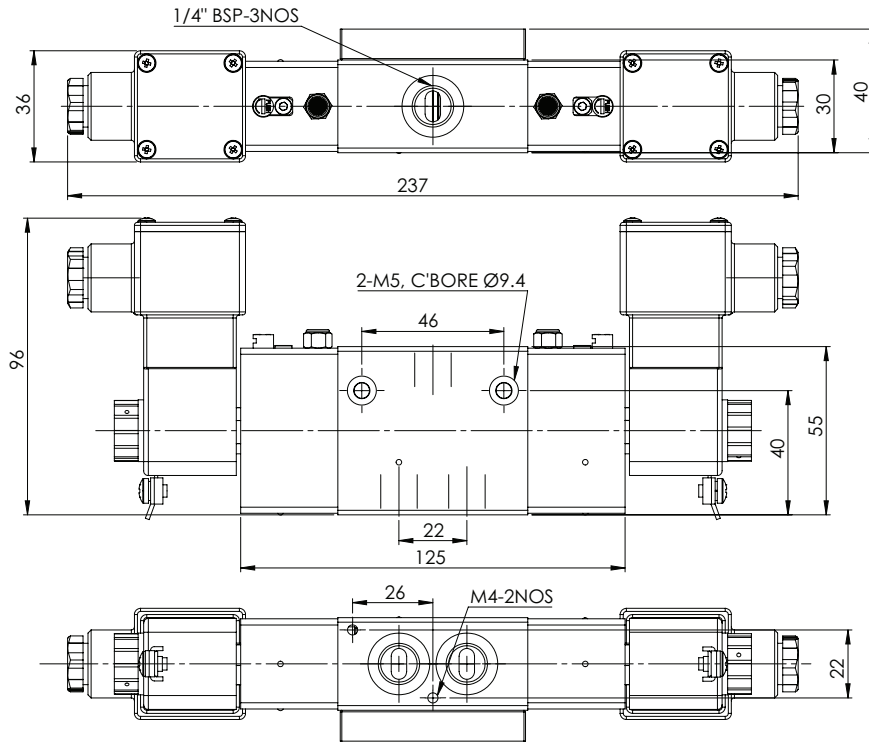
Technical specification

Model	DAQ214	DAQ314	DAQ414
Type	3/2 way spool design, double coil, direction control valve		
Media	Compressed air, 25 µm. Filtered, lubricated or unlubricated		
Mounting	Through holes in housing, also suitable for mounting on manifold		
Orifice (mm)	6.7	10	10
Flow factor (kv)	15	38	38
Port size	1/4"	3/8"	1/2"
Operating pressure range (bar)	3-10		
Temperature range (°C)	-10 to 70		
Response time at 5 bar	On time 28 ms, Off time 36 ms	On time 32 ms, Off time 48 ms	
Manual override type	Push type & rotate to lock		
Operating voltage	AC (50 Hz) - 110, 220	DC - 12, 24, 48	
Duty cycle	Continuous		
Coil insulation class	F		
Valve body MOC	Aluminium		
Seals MOC	NBR		
Coil	Exproof(Exd) / Weatherproof(IP)		

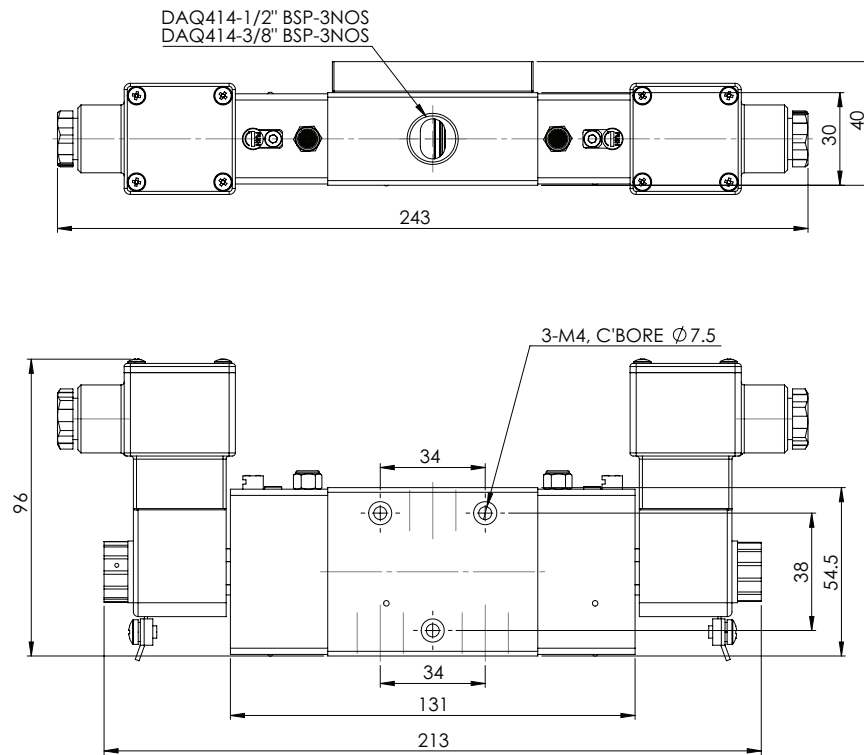
Dimensional drawings



Dimensional drawings with Exd coils



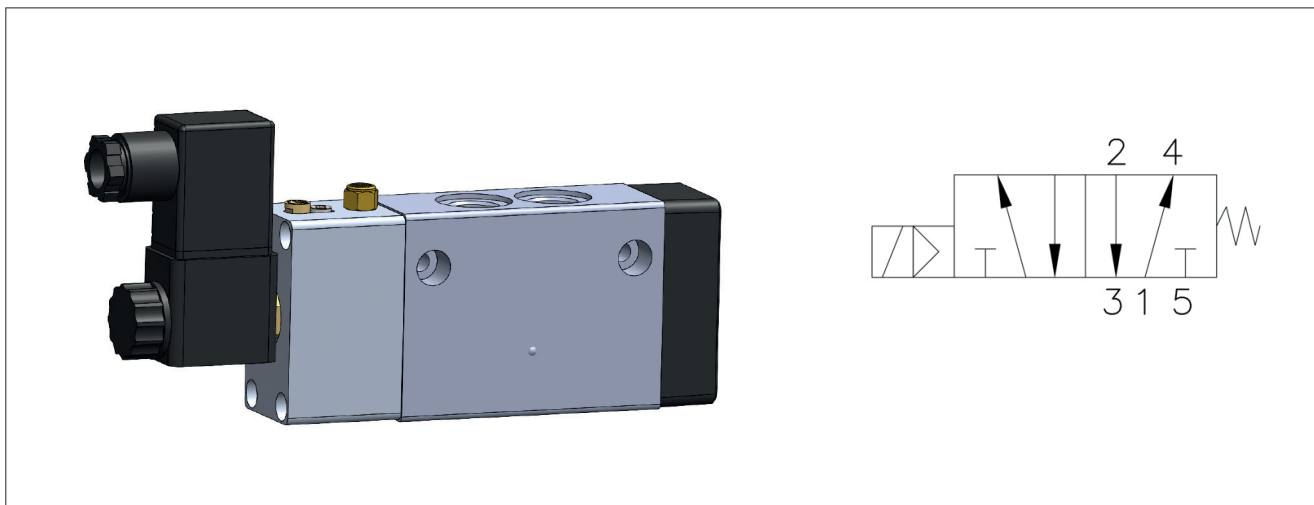
DAQ214



DAQ314 and DAQ414

5/2 way solenoid valve

Model no. VAQ213 / VAQ313 / VAQ413



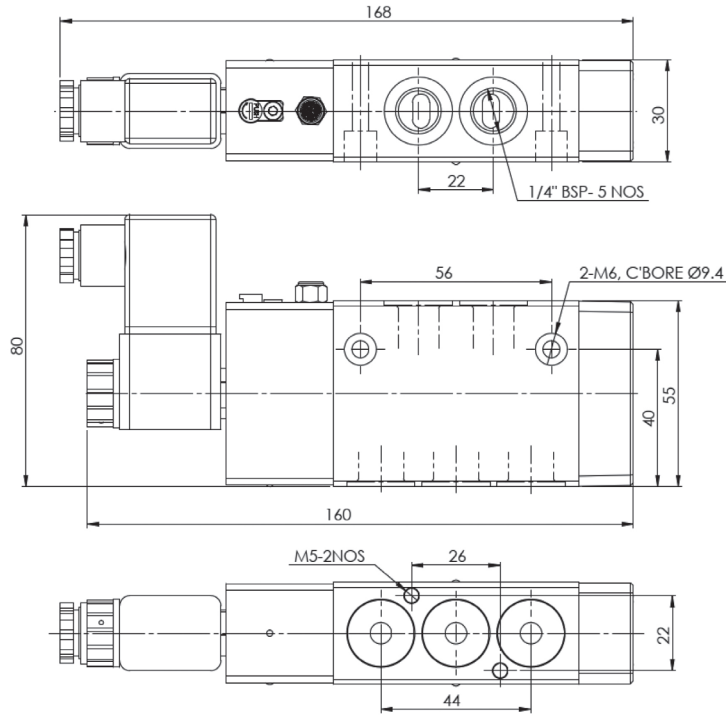
Features

- Mounts in any position
- High flow solenoid valves
- Helping piston improves valves performance & reliability
- Solenoid capable of turning 360°
- Solenoid continuous duty rated
- Noiseless performance
- Available in BSP & NPT port thread type
- Spring & air return ensures healthy valve operation in case of spring failure also
- IP certification
- Exd coil certification

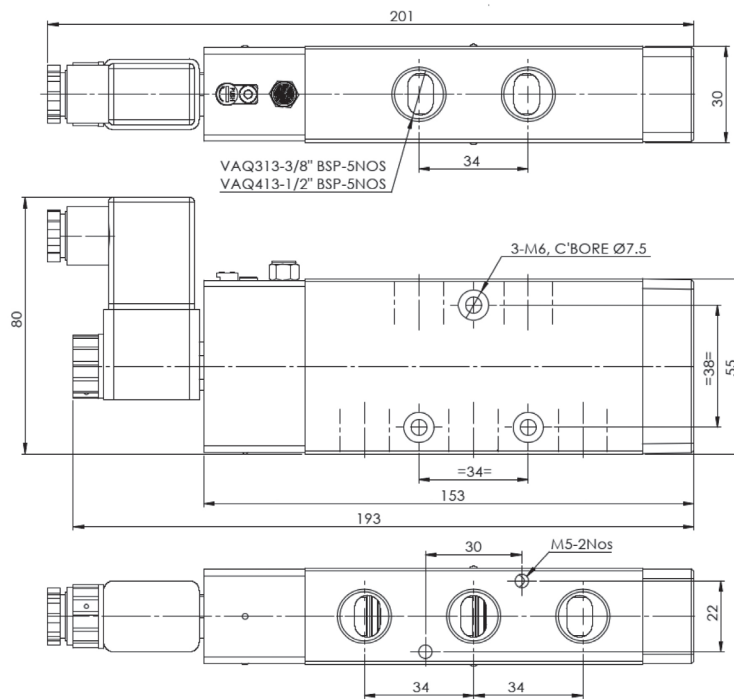
Technical specification

Model	VAQ213	VAQ313	VAQ413
Type	5/2 way spool design, double coil, direction control valve		
Media	Compressed air, 25 µm. Filtered, lubricated or unlubricated		
Mounting	Through holes in housing, also suitable for mounting on manifold		
Orifice (mm)	6.7	10	10
Flow factor (kv)	15	38	38
Port size	1/4"	3/8"	1/2"
Operating pressure range (bar)	3-10		
Temperature range (°C)	-10 to 70		
Response time at 5 bar	On time 28 ms, Off time 36 ms	On time 32 ms, Off time 48 ms	
Manual override type	Push type & rotate to lock		
Operating voltage	AC (50 Hz) - 110, 220	DC - 12, 24, 48	
Duty cycle	Continuous		
Coil insulation class	F		
Valve body MOC	Aluminium		
Seals MOC	NBR		
Coil	Exproof(Exd) / Weatherproof(IP)		

Dimensional drawings

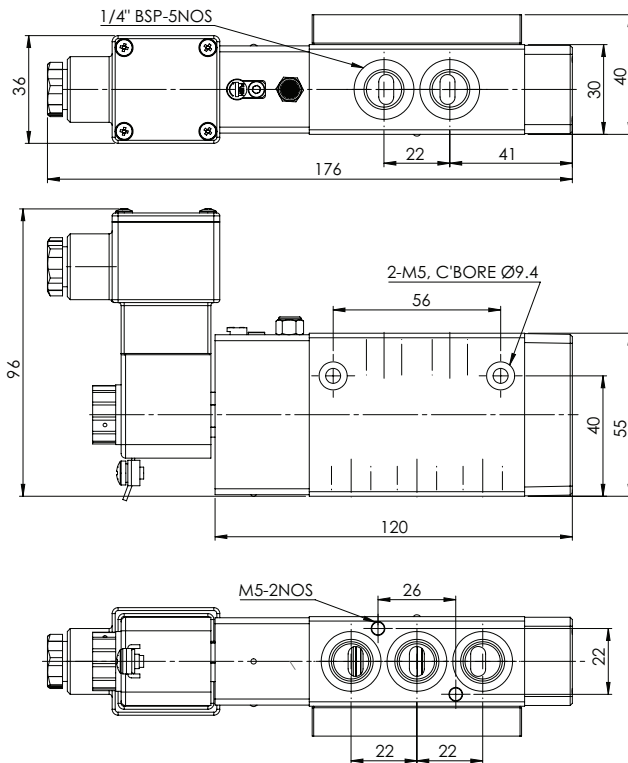


VAQ213

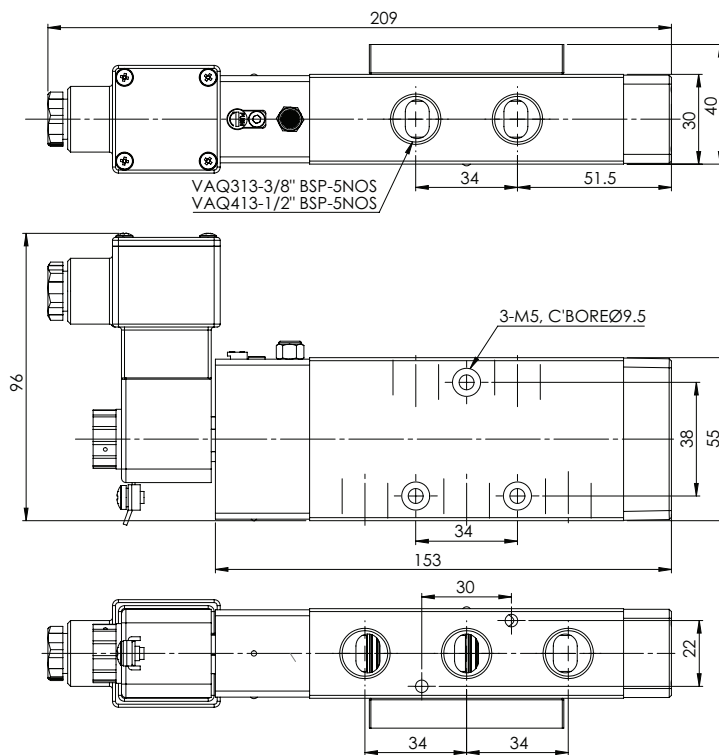


VAQ313 and VAQ413

Dimension drawings with Exd coils



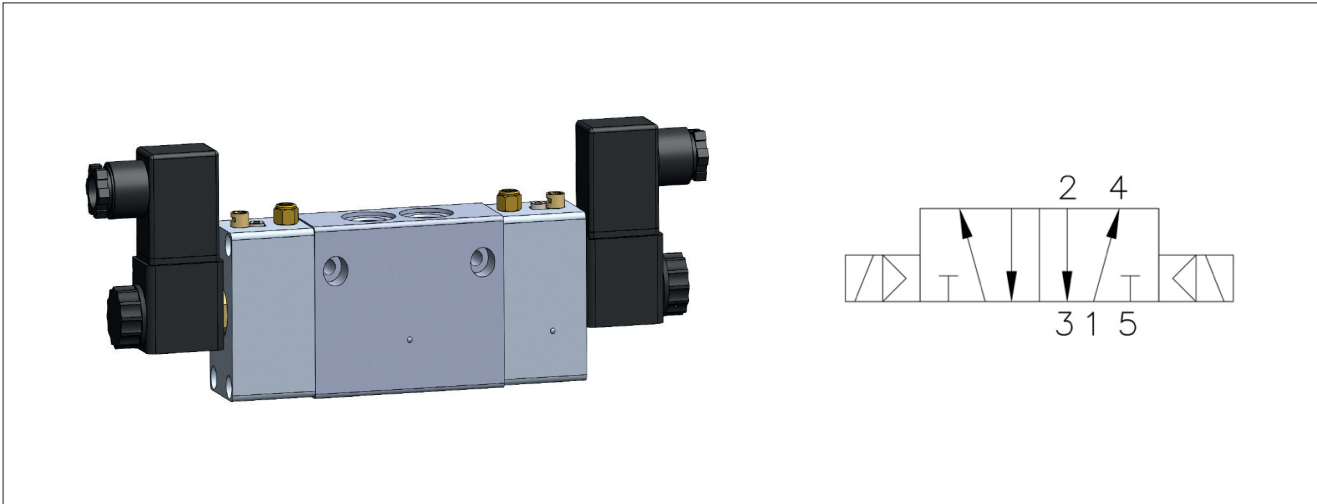
VAQ213



VAQ313 and VAQ413

5/2 way solenoid valve

Model no. VAQ214 / VAQ314 / VAQ414



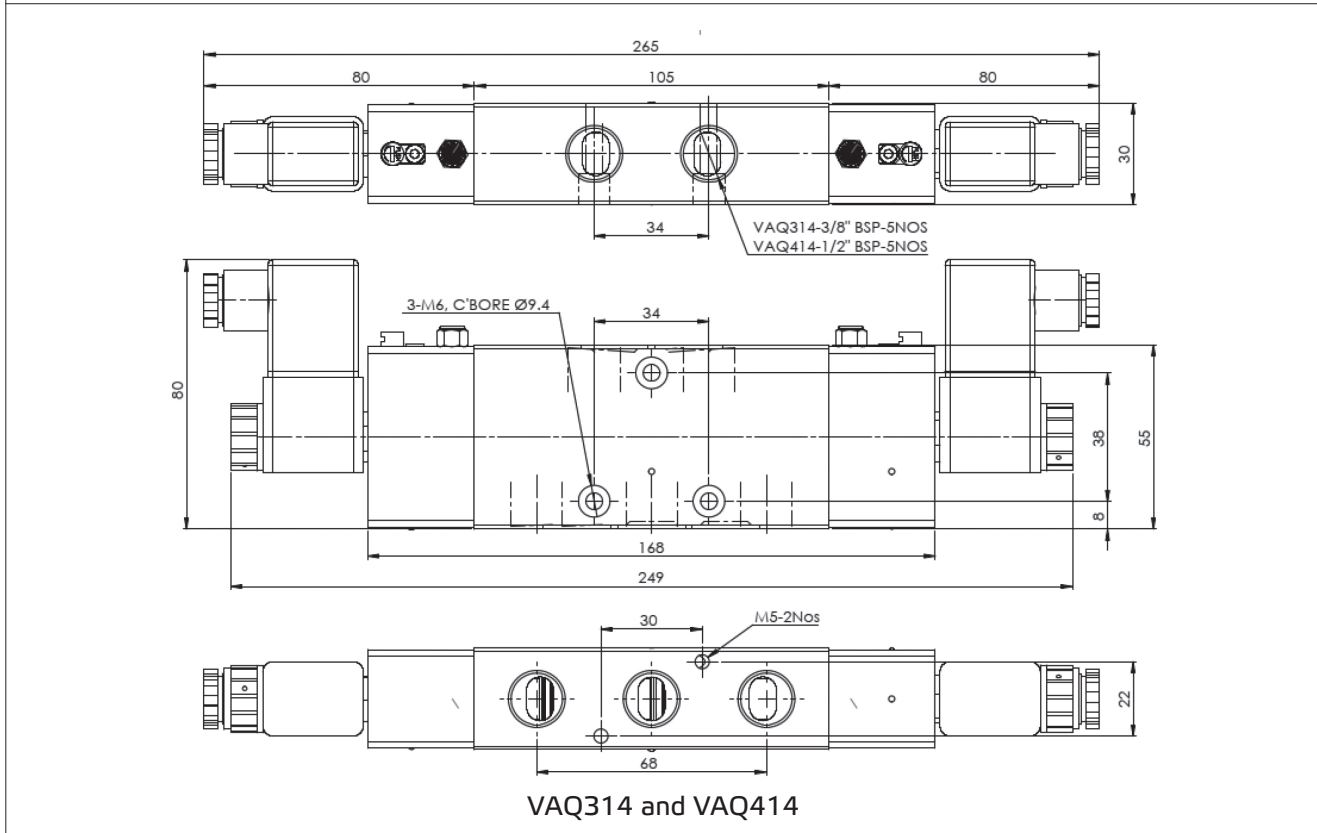
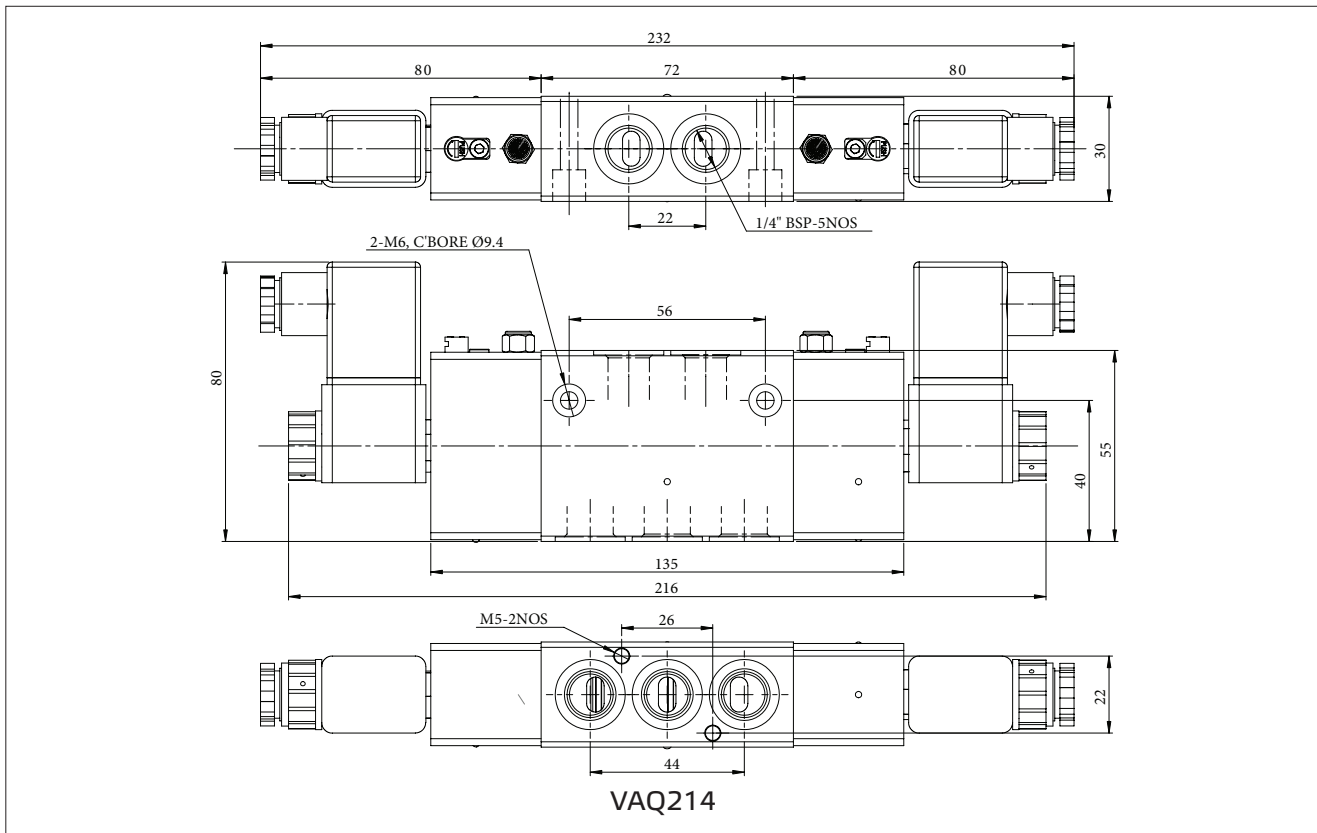
Features

- Mounts in any position
- High flow solenoid valves.
- Helping piston improves valves performance & reliability.
- Solenoid capable of turning 360°
- Solenoid continuous duty rated
- Noiseless performance
- Available in BSP & NPT port thread type
- IP certification
- Exd coil certification

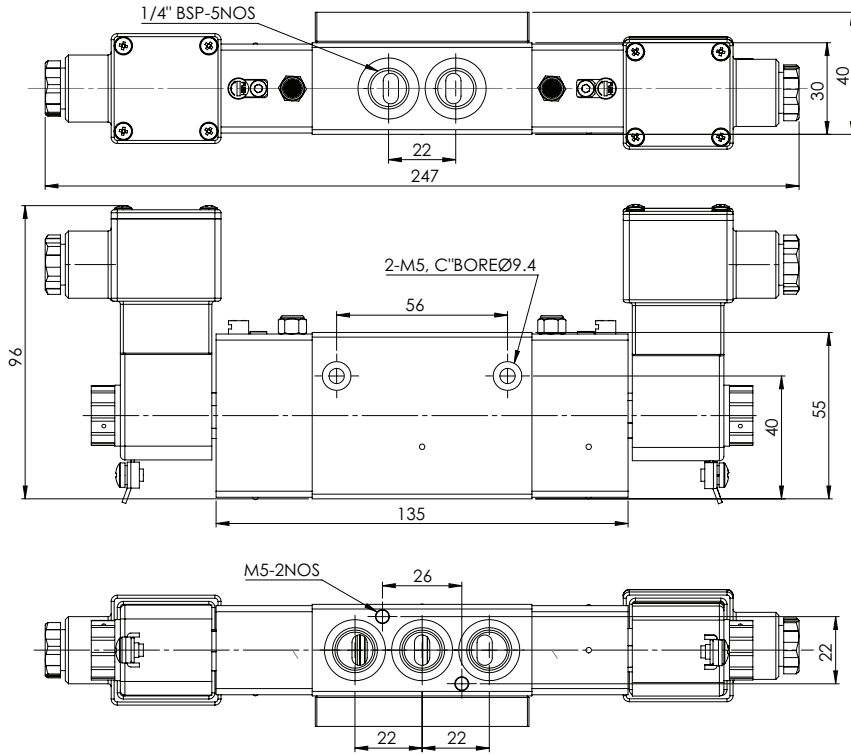
Technical specification

Model	VAQ214	VAQ314	VAQ414
Type	5/2 way spool design, single coil, spring & air return direction control valve		
Media	Compressed air, 25 µm. Filtered, lubricated or unlubricated		
Mounting	Through holes in housing, also suitable for mounting on manifold		
Orifice (mm)	6.7	10	10
Flow factor (kv)	15	38	38
Port size	1/4"	3/8"	1/2"
Operating pressure range (bar)	3-10		
Temperature range (°C)	-10 to 70		
Response time at 5 bar	On time 28 ms, Off time 36 ms	On time 32 ms, Off time 48 ms	
Manual override type	Push type & rotate to lock		
Operating voltage	AC (50 Hz) - 110, 220	DC - 12, 24, 48	
Duty cycle	Continuous		
Coil insulation class	F		
Valve body MOC	Aluminium		
Seals MOC	NBR		
Coil	Exproof(Exd) / Weatherproof(IP)		

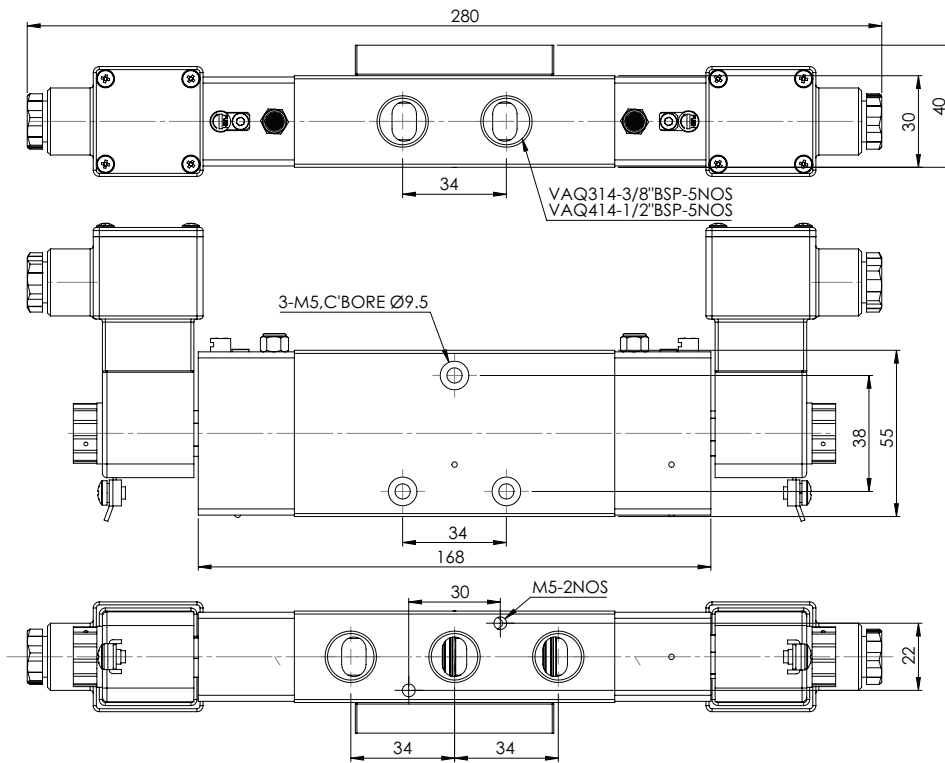
Dimensional drawings



Dimension drawings with Exd coils



VAQ214



VAQ314 and VAQ414

How to order

1.	2.	3.	4.	5.	6.	7.	8.	9.
DAQ	2	13	G	0	0	01D0	P1	NN

1.	Valve type
DAQ	3/2 way
VAQ	5/2 way

2.	Port size
2	1/4"
3	3/8"
4	1/2"

3.	Operator
13	Single coil
14	Double coil

4.	Port connrction
G	BSP
R	NPT

5.	Body and spool material
0	Aluminium
1	SS316

6.	Seals
0	NBR
1	VITON

7.	Coil
01D0	12VDC
02D0	24VDC
03D0	48VDC
04D0	110VDC
05D0	220VDC
01A0	24VAC
02A0	48VAC
03A0	110VAC
04A0	220VAC
11AL	110VAC-LED
12AL	220VAC-LED
13AL	24VAC-LED
11DL	24VDC-LED

8.	Protection
P1	IP66/67

9.	Certification
NN	NILL
EN	Exd certification for coils - only applicable with sign 7. (12, 24, 48VDC), (24, 48, 110, 220, 230VAC) – only sign 8. IP 66 applicable, only applicable with 6. sig NBR

ORDERING EXAMPLE:

1. DAQ-2-13-G-0-0-01D0-P1-NN. This is a 3/2 position single coil solenoid valve with port size of 1/4" BSP connection with Aluminium body having NBR seal and coil voltage of 12VDC, IP Certified valve
2. VAQ-2-13-G-0-0-01A0-P1-NN. This is a 5/2 position single coil solenoid valve with port size of 1/4" BSP connection with Aluminium body having NBR seal and coil voltage of 12VDC IP Certified valve

Valmet Flow Control Private Limited

Plot no:560 Manpada Road
Dombivli East, Maharashtra 421204
www.valmet.com/flowcontrol

Subject to change without prior notice.

Neles, Neles Easyflow, Jamesbury, Stonel, Valvcon and Flowrox, and certain other trademarks, are either registered trademarks or trademarks of Valmet Oyj or its subsidiaries in the United States and/or in other countries.

