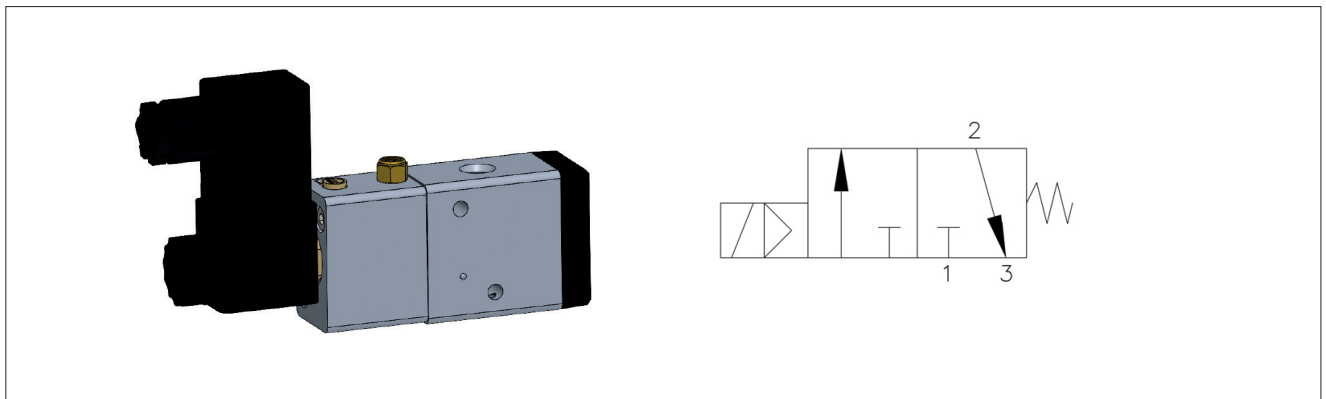


Neles Easyflow™ solenoid valves

Series DSQ and VSQ version 2

3/2 way spool type solenoid calve - single coil

Model No: DSQ113 / DSQ213



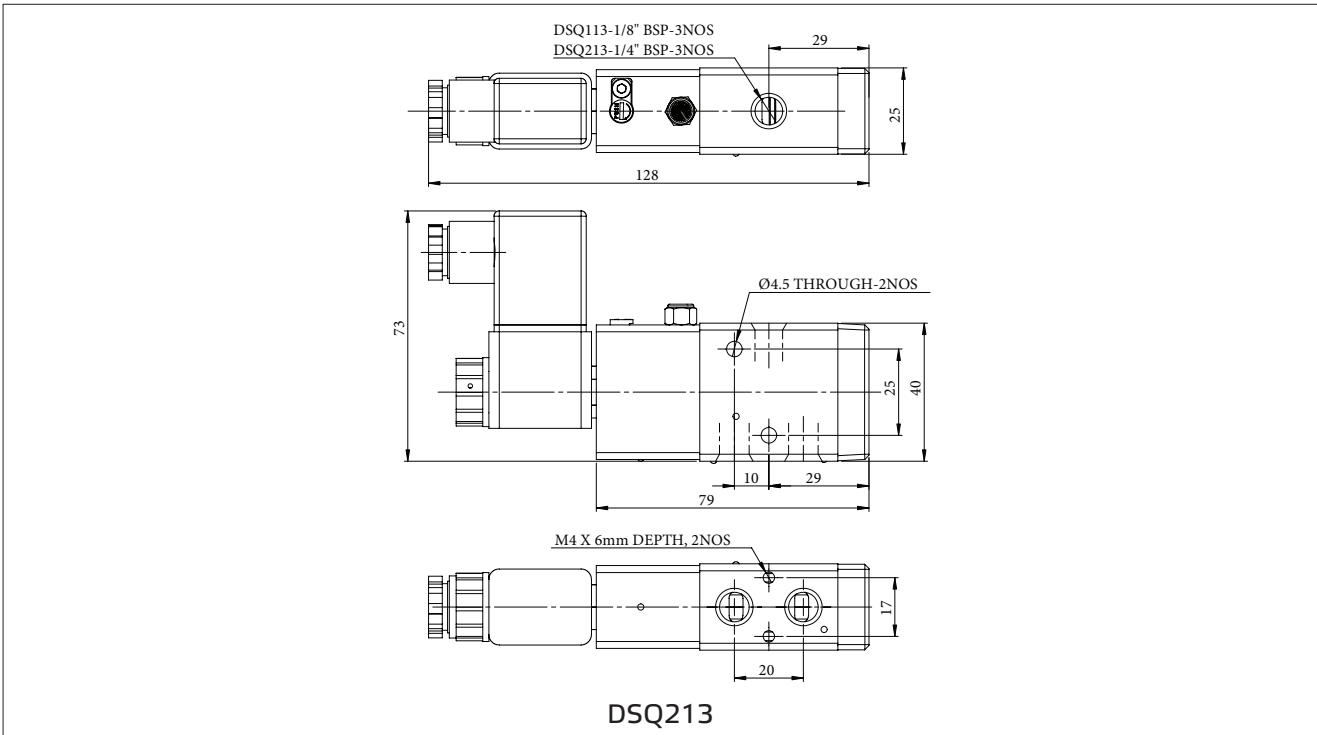
Features

- Mounts in any position
- Solenoid capable of turning 360°
- Solenoid continuous duty rated
- Noiseless performance
- Available in BSP & NPT port thread type
- IP Certified valves
- Exd certified coil

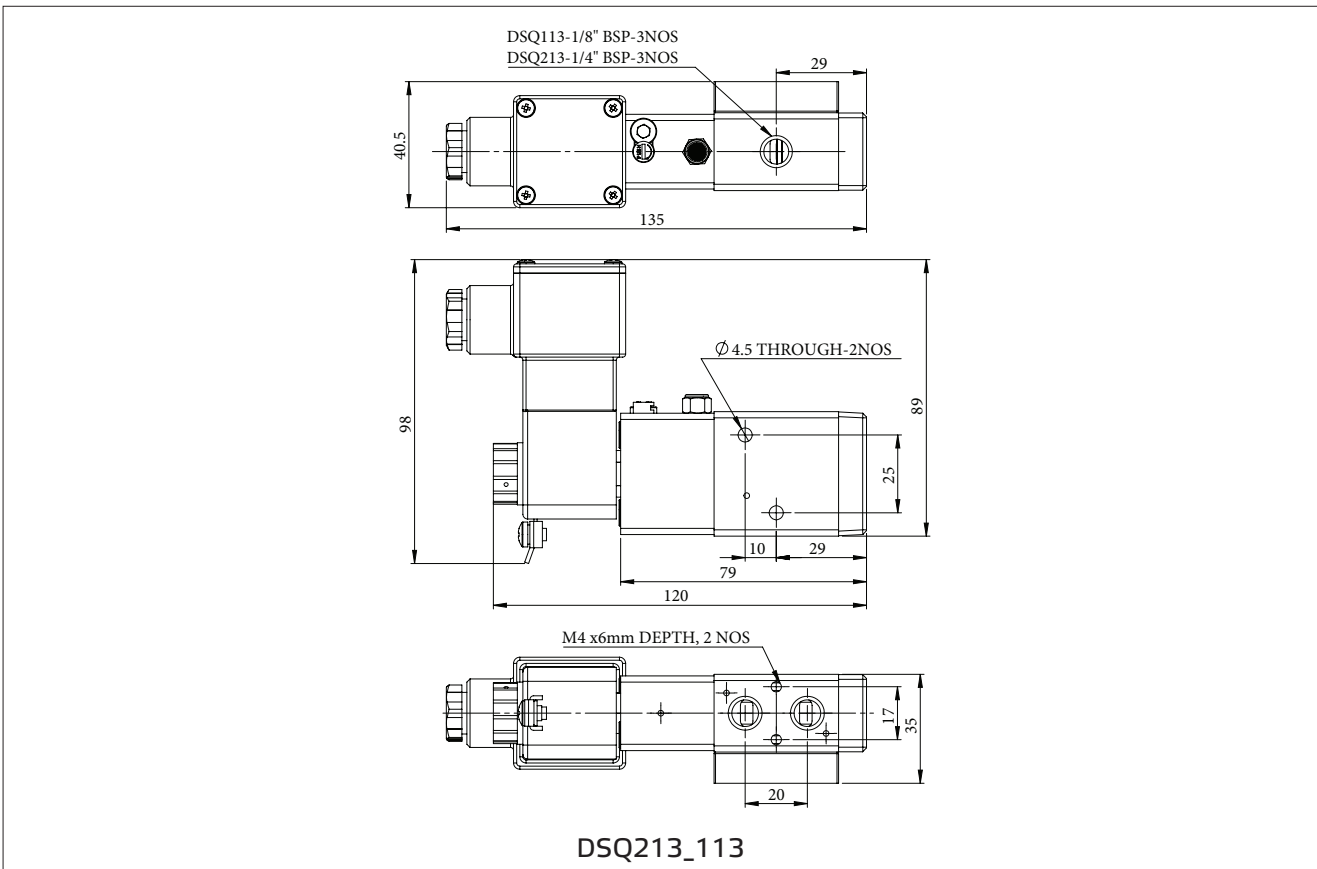
Technical specification

Model	DSQ113	DSQ213
Type	3/2-way spool design, single coil, spring return direction control valve	
Media	Compressed air, 25 µm, Filtered, lubricated or unlubricated	
Mounting	Through holes in housing, also suitable for mounting on manifold	
Orifice (mm)	3	4.5
Flow factor (kv) (L / min)	4	7
Port size	1/8"	1/4"
Operating pressure range (bar)	2-10	
Temperature range (°C)	-20 to 80	
Response time at 5 bar	On time 20 ms, Off time 22 ms	
Manual override type	Screw driver type	
Operating voltage	AC : 110, 220 (50Hz)	
DC : 12, 24, 48	NBR	
Duty cycle	Continuous	
Coil insulation class	F	
Valve body MOC	Aluminium	
Seals MOC	NBR	
Coil	Exproof(Exd) / Weatherproof(IP)	

Dimensional drawings with symbol

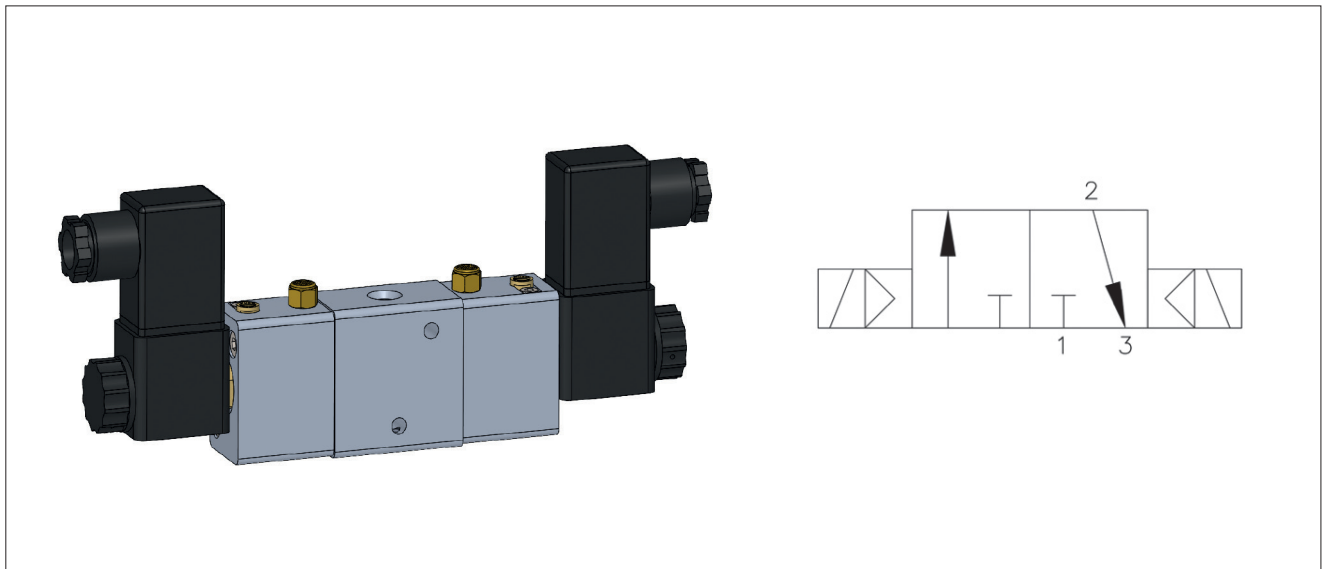


Dimension drawings with Exd coils



3/2 spool type solenoid valve - double coil

Model No: DSQ114 / DSQ214



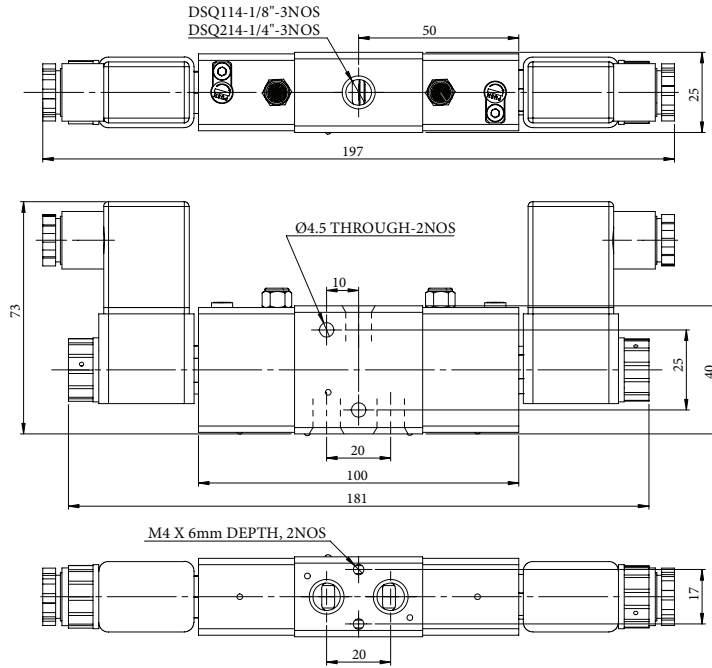
Features

- Mounts in any position
- Solenoid capable of turning 360°
- Solenoid continuous duty rated
- Noiseless performance
- Available in BSP & NPT port thread type
- IP certified valves
- Exd certified coils

Technical specification

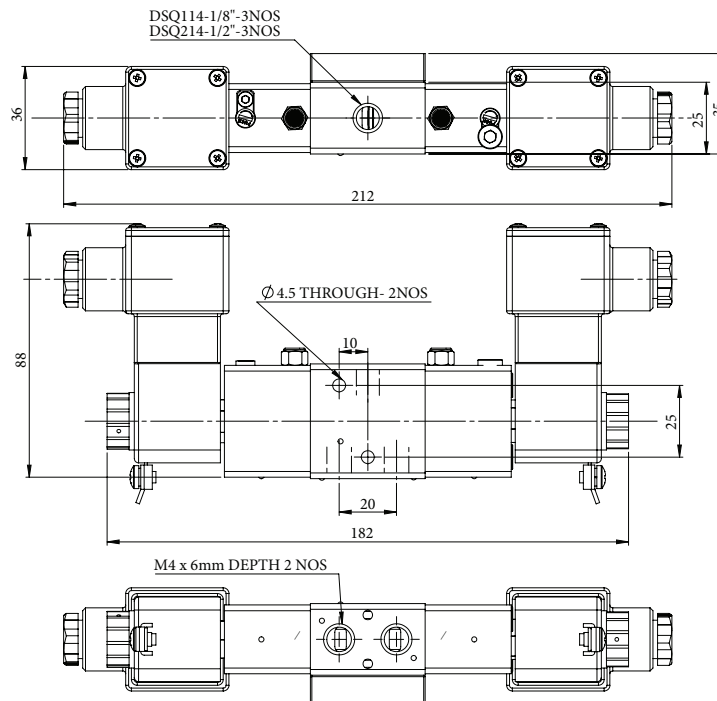
Model	DSQ114	DSQ214
Type	3/2 way spool design, Double coil, direction control valve	
Media	Compressed air, 25 µm, Filtered, lubricated or unlubricated	
Mounting	Through holes in housing, also suitable for mounting on manifold	
Orifice (mm)	3	4.5
Flow factor (kv) (L / min)	4	7
Port size	1/8"	1/4"
Operating pressure range (bar)	2-10	
Temperature range (°C)	-20 to 80	
Response time at 5 bar	On time 20 ms, Off time 22 ms	
Manual override type	Screw driver type	
Operating voltage	AC : 110, 220 (50Hz)	
DC : 12, 24, 48	NBR	
Duty cycle	Continuous	
Coil insulation class	F	
Valve body MOC	Aluminium	
Seals MOC	NBR	
Coil	Exproof(Exd) / Weatherproof(IP)	

Dimensional drawings with symbol



DSQ114 and DSQ214

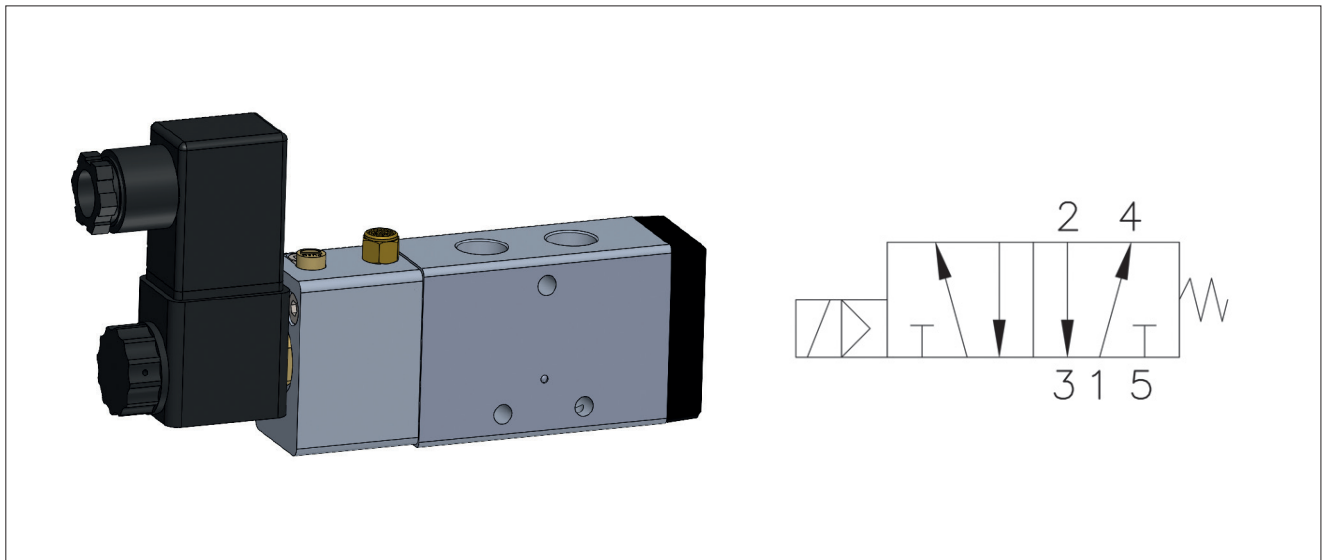
Dimension drawings with Exd Coils



DSQ114 and DSQ214

5/2 spool type solenoid valve - single coil

Model No: VSQ113 / VSQ213



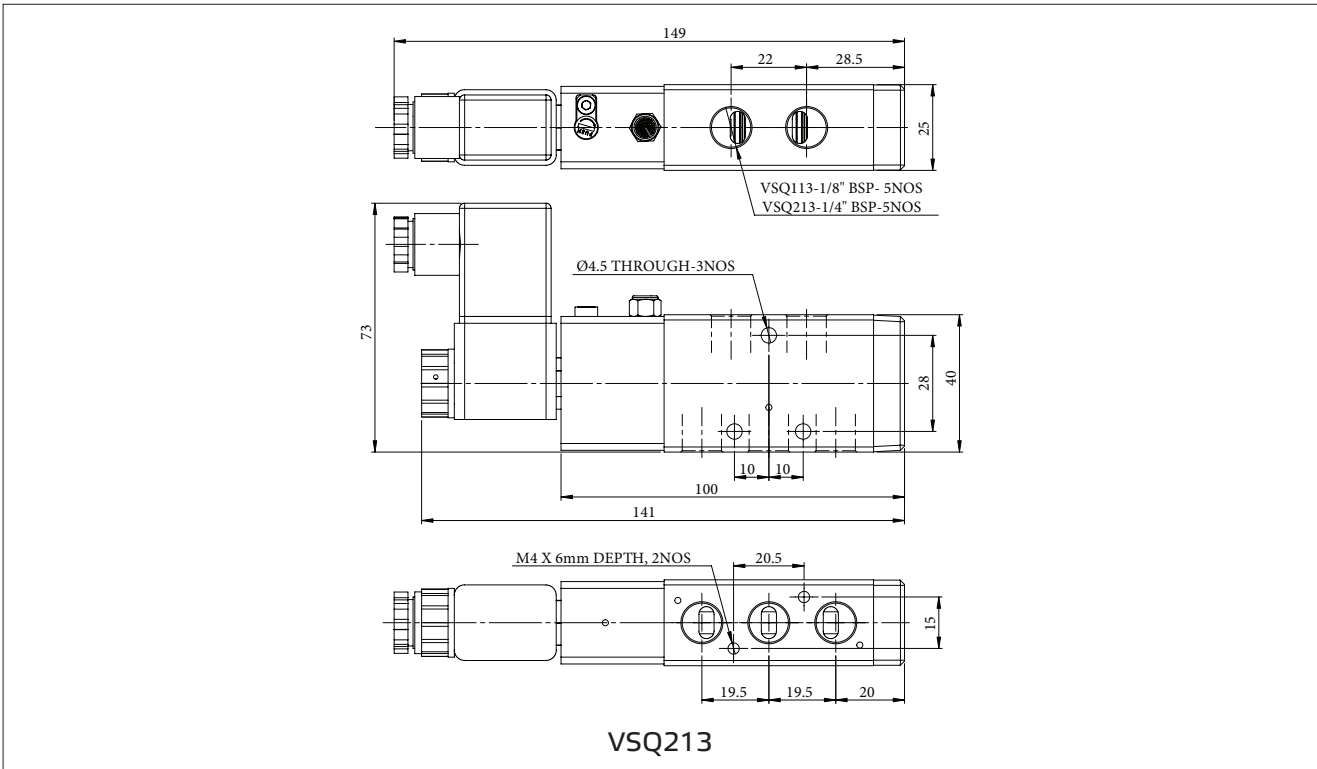
Features

- Mounts in any position
- Solenoid capable of turning 360°
- Solenoid continuous duty rated
- Noiseless performance
- Available in BSP & NPT port thread type
- IP certified valves
- Exd certified coils

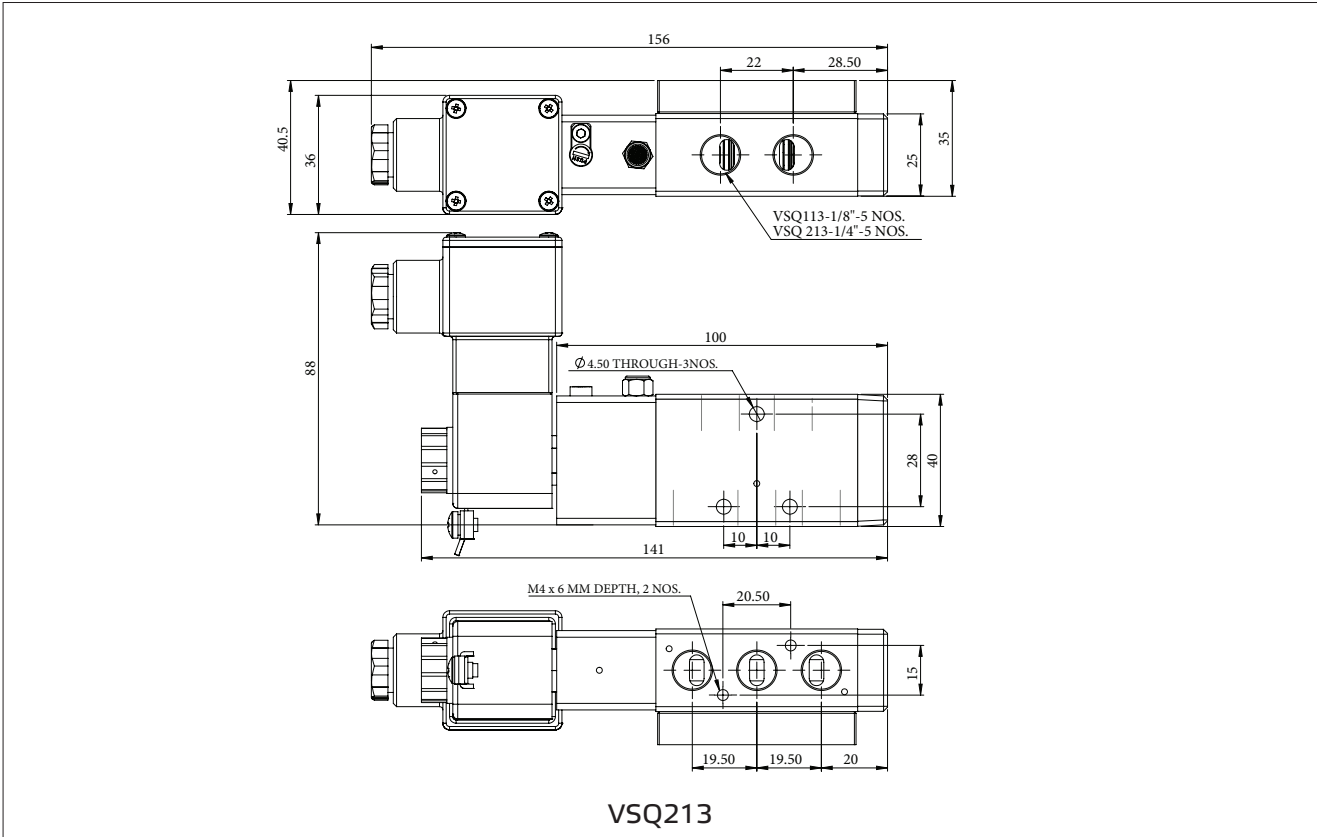
Technical specification

Model	VSQ113	VSQ213
Type	5/2-way spool design, single coil, spring return direction control valve	
Media	Compressed air, 25 µm, Filtered, lubricated or unlubricated	
Mounting	Through holes in housing, also suitable for mounting on manifold	
Orifice (mm)	3	4.5
Flow Factor (kv) (L / min)	4	7
Port size	1/8"	1/4"
Operating pressure range (bar)	2-10	
Temperature range (°C)	-20 to 80	
Response time at 5 bar	On time 20 ms, Off time 22 ms	
Manual override type	Screw driver type	
Operating voltage	AC : 110, 220 (50Hz)	
DC : 12, 24, 48	NBR	
Duty cycle	Continuous	
Coil insulation class	F	
Valve body MOC	Aluminium	
Seals MOC	NBR	
Coil	Exproof(Exd) / Weatherproof(IP)	

Dimensional drawings with symbol

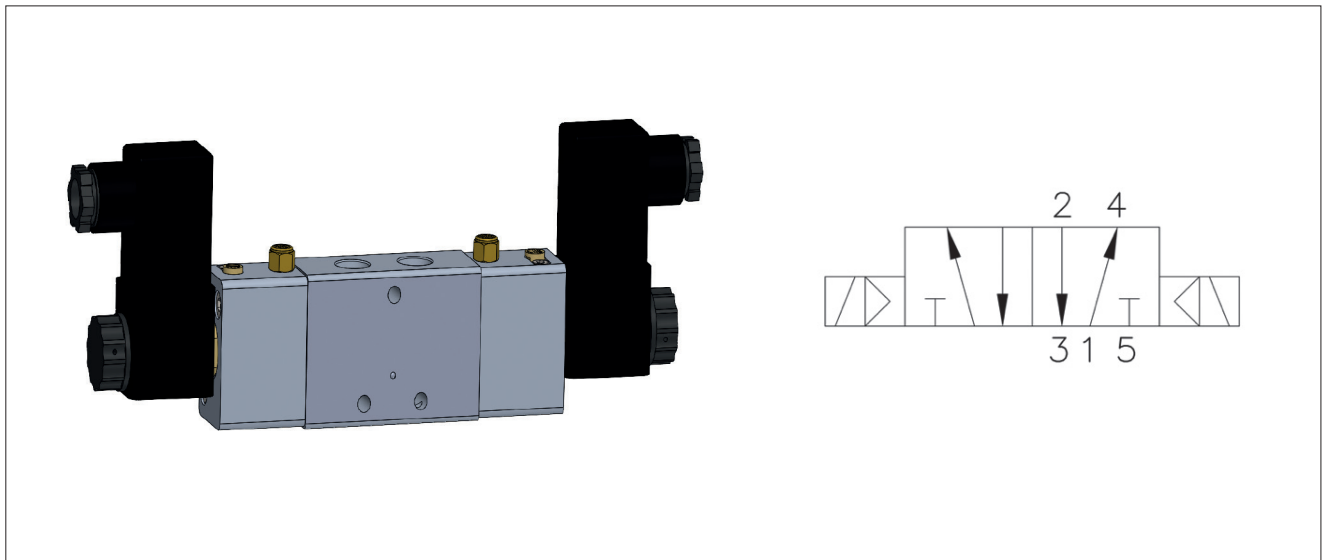


Dimension drawings with Exd coils



5/2 spool type solenoid valve - double coil

Model No: VSQ114 / VSQ214



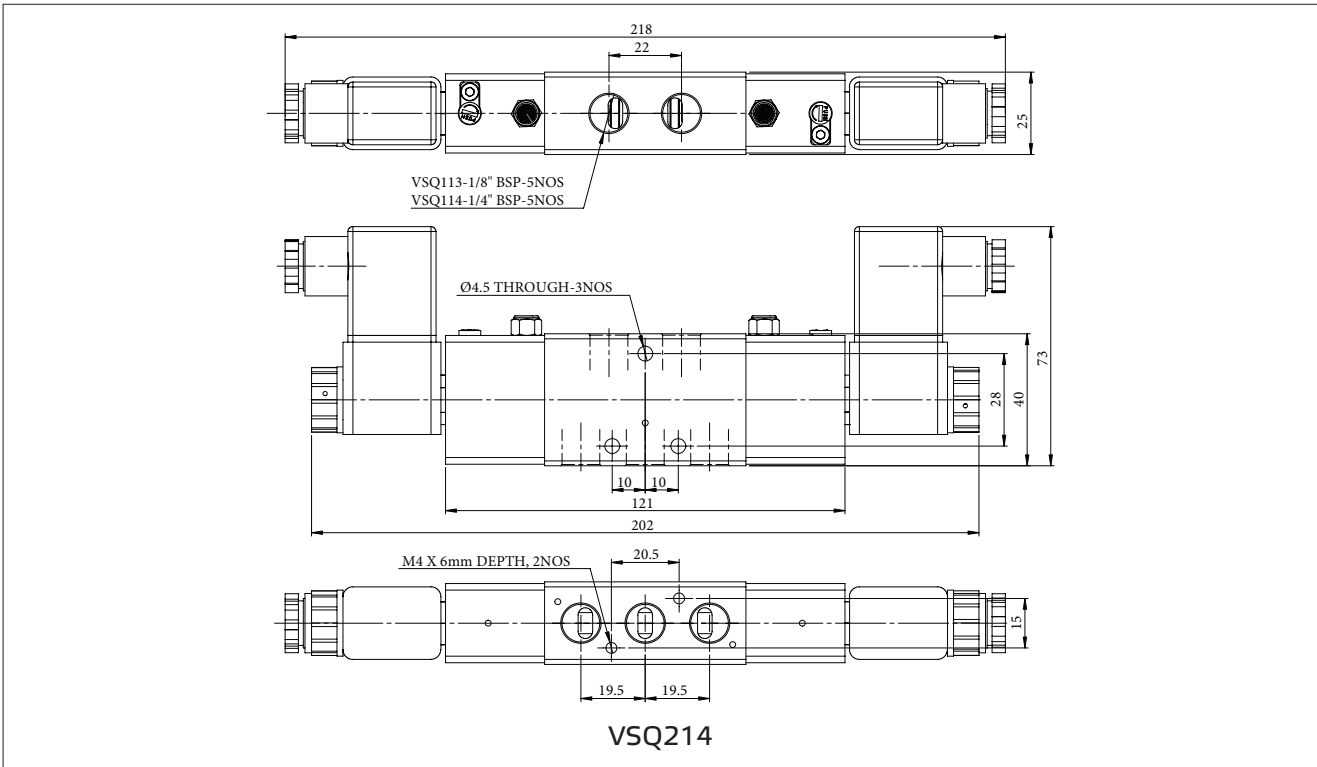
Features

- Mounts in any position
- Solenoid capable of turning 360°
- Solenoid continuous duty rated
- Noiseless performance
- Available in BSP & NPT port thread type
- IP certified valves
- Exd certified coils

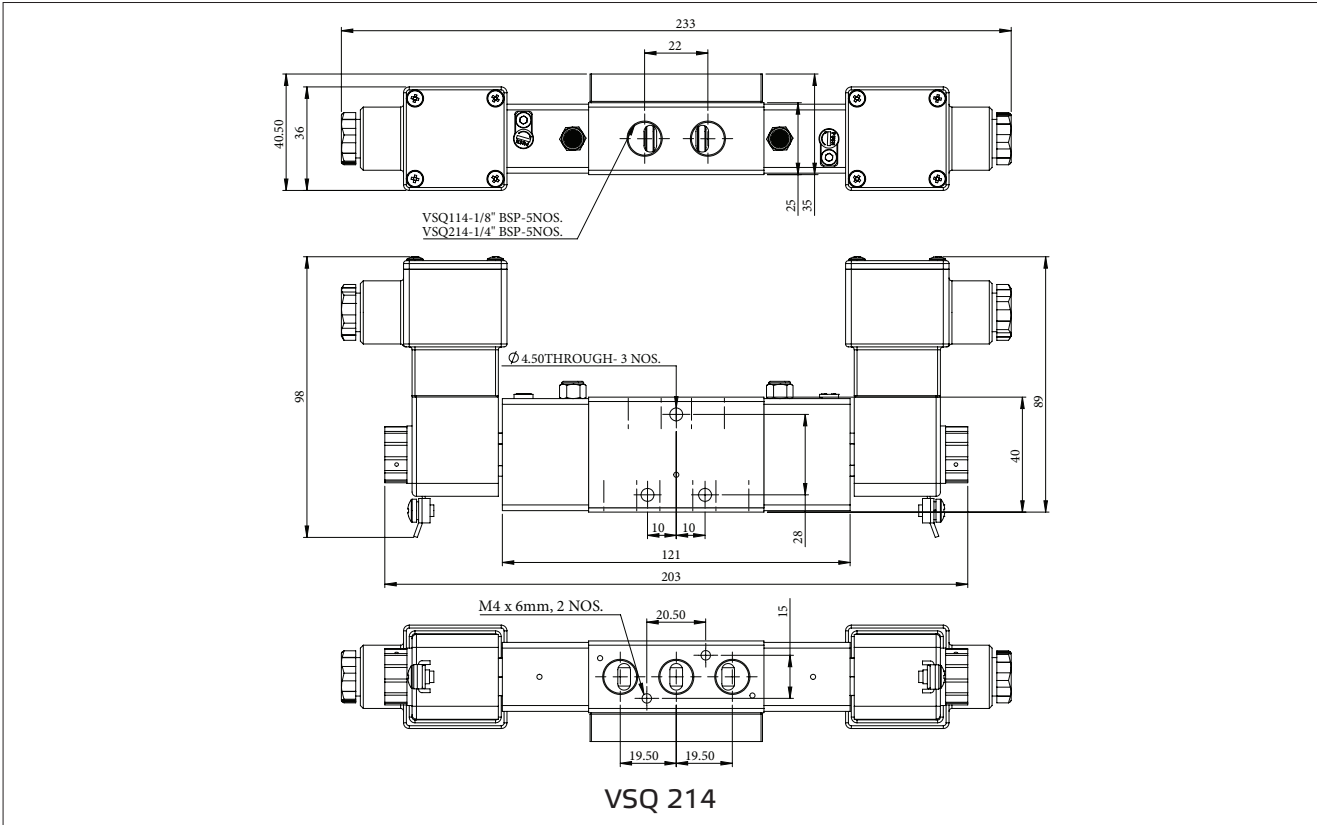
Technical specification

Model	VSQ114	VSQ214
Type	5/2 way spool design, Double coil, direction control valve	
Media	Compressed air, 25 µm, Filtered, lubricated or unlubricated	
Mounting	Through holes in housing, also suitable for mounting on manifold	
Orifice (mm)	3	4.5
Flow factor (kv) (L / min)	4	7
Port size	1/8"	1/4"
Operating pressure range (bar)	2-10	
Temperature range (°C)	-20 to 80	
Response time at 5 bar	On time 20 ms, Off time 22 ms	
Manual override type	Screw driver type	
Operating voltage	AC : 110, 220 (50Hz)	
DC : 12, 24, 48	NBR	
Duty cycle	Continuous	
Coil insulation class	F	
Valve body MOC	Aluminium	
Seals MOC	NBR	
Coil	Exproof(Exd) / Weatherproof(IP)	

Dimensional drawings with symbol



Dimension drawings with Exd coils



Type code

Valve type	Code	Port size	Code	Operator	Code	Port thread type	Code	Coil voltage
3/2 way	DSQ	1/8"	1	Single coil solenoid valve	13	BSP	G	12, 24, 48 VDC 220 VAC-50 Hz 110 VAC-50Hz
		1/4"	2	Double coil solenoid valve	14	NPT	R	
5/2 way	VSQ	1/8"	1	Single coil solenoid valve	13	BSP	G	12, 24, 48 VDC 220 VAC-50 Hz 110 VAC-50Hz
		1/4"	2	Double coil solenoid valve	14	NPT	R	

How to order

1.	2.	3.	4.	5.	6.	7.	8.	9.
DSQ	2	13	G	0	0	01D0	P1	NN

1.	Valve type
DSQ	3/2 way
VSQ	5/2 way

2.	Port size
1	1/8"
2	1/4"

3.	Operator
13	Single coil
14	Double coil

4.	Port connection
G	BSP
R	NPT

5.	Body and spool material
0	Aluminium
1	SS316

6.	Seals
0	NBR
1	VITON

7.	Coil voltage
01D0	12VDC
02D0	24VDC
03D0	48VDC
04D0	110VDC
05D0	220VDC
01A0	24VAC
02A0	48VAC
03A0	110VAC
04A0	220VAC
11AL	110VAC-LED
12AL	220VAC-LED
13AL	24VAC-LED
11DL	24VDC-LED

8.	Protection
P1	IP66/67

9.	Certification
NN	NILL
EN	Exd certification for coils - only applicable with sign 7. (12, 24, 48VDC), (24, 48, 110, 220, 230VAC) – only sing 8. IP 66 applicable, only applicable with 6. sign NBR

ORDERING EXAMPLE:

- DSQ-2-13-G-0-0-01D0-P1-NN. This is a 3/2 position single coil solenoid valve with port size of 1/4" BSP Connection with Aluminium body having NBR seal and coil voltage of 12VDC, IP Certified valve
- VSQ-2-13-G-0-0-01D0-P1-NN. This is a 5/2 position single coil solenoid valve with port size of 1/4" BSP Connection with Aluminium body having NBR seal and coil voltage of 12VDC, IP Certified valve

Valmet Flow Control Private Limited

Plot no:560 Manpada Road
Dombivli East, Maharashtra 421204
www.valmet.com/flowcontrol

Subject to change without prior notice.

Neles, Neles Easyflow, Jamesbury, Stonel, Valvcon and Flowrox, and certain other trademarks, are either registered trademarks or trademarks of Valmet Oyj or its subsidiaries in the United States and/or in other countries.

