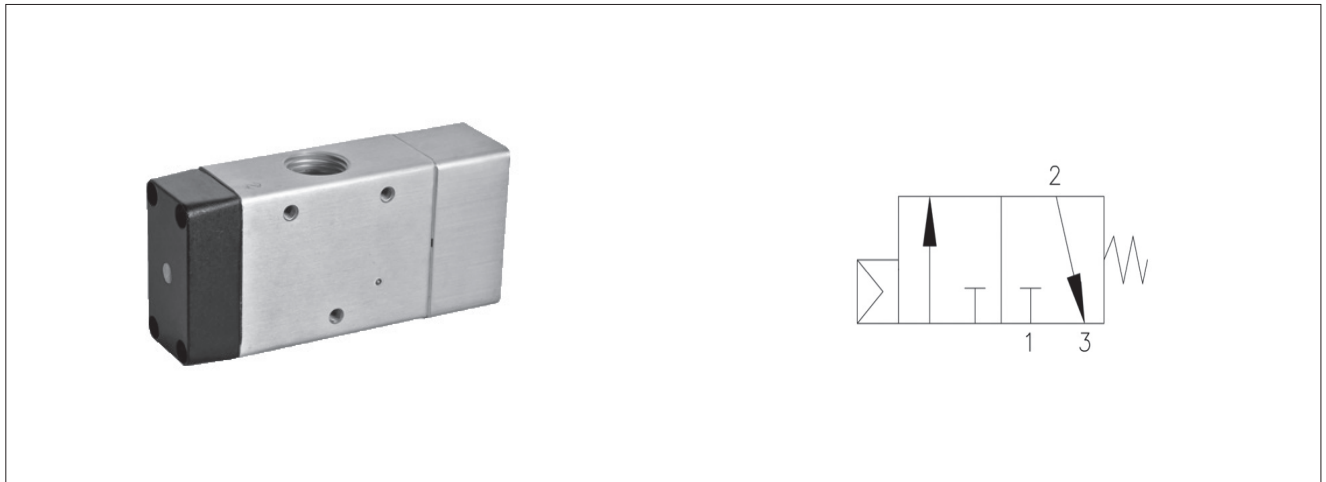


# Neles Easyflow™ air operated spool valves

## Series DAQ and VAQ

3/2 way air operated spool valve

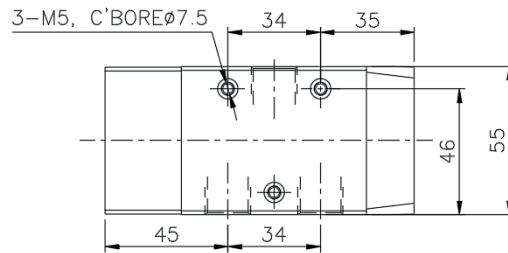
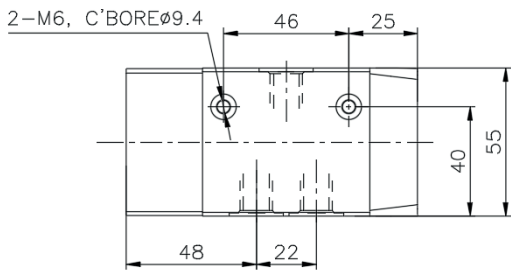
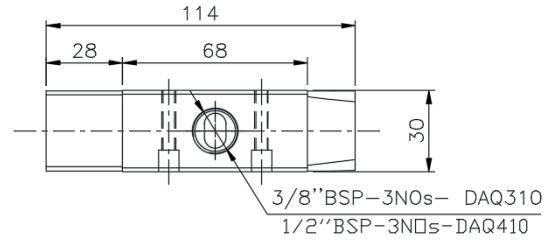
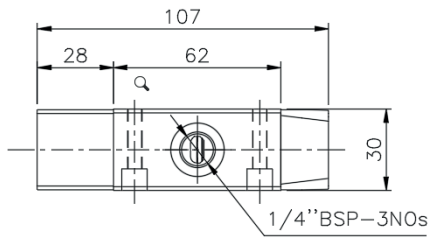
Model No: DAQ210/310/410/610/810



### Technical specification

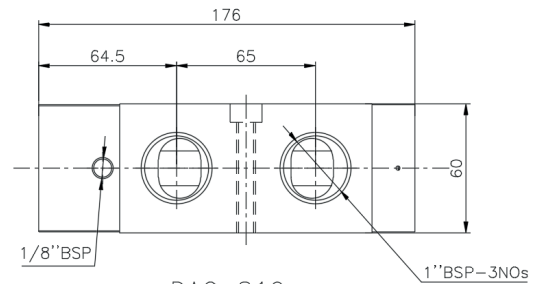
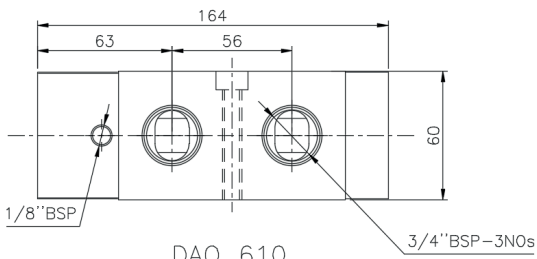
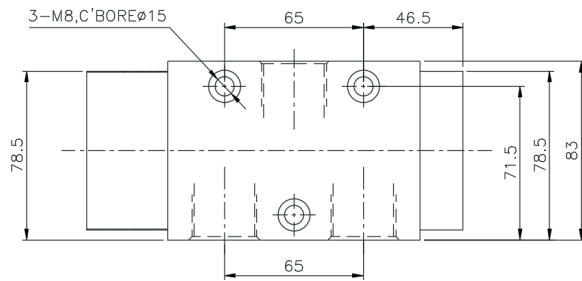
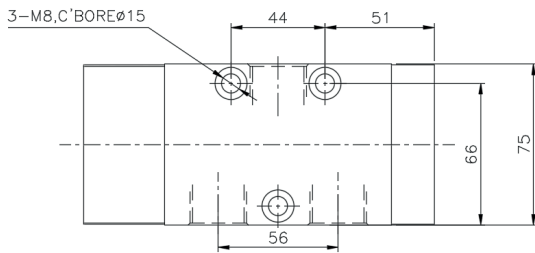
Model	DAQ210	DAQ310	DAQ410	DAQ610	DAQ810
Type	3/2 way spool design, single external pilot operated spring return valve				
Media	Compressed air, 50 µm. Filtered, lubricated or unlubricated				
Mounting	Through holes in housing, also suitable for mounting on manifold				
Orifice (mm)	6.7	10	10	16	20
Flow factor (kv) (L / min)	15	38	38	75	110
Port size	1/4"	3/8"	1/2"	3/4"	1"
Operating pressure range (bar)	0 to 10				
Temperature range (°C)	-10 to 70				
Pilot pressure (bar)	2				
Valve body MOC	Aluminium / SS				
Seals MOC	NBR				

## Dimensional drawings



DAQ 210

DAQ 310 & DAQ410

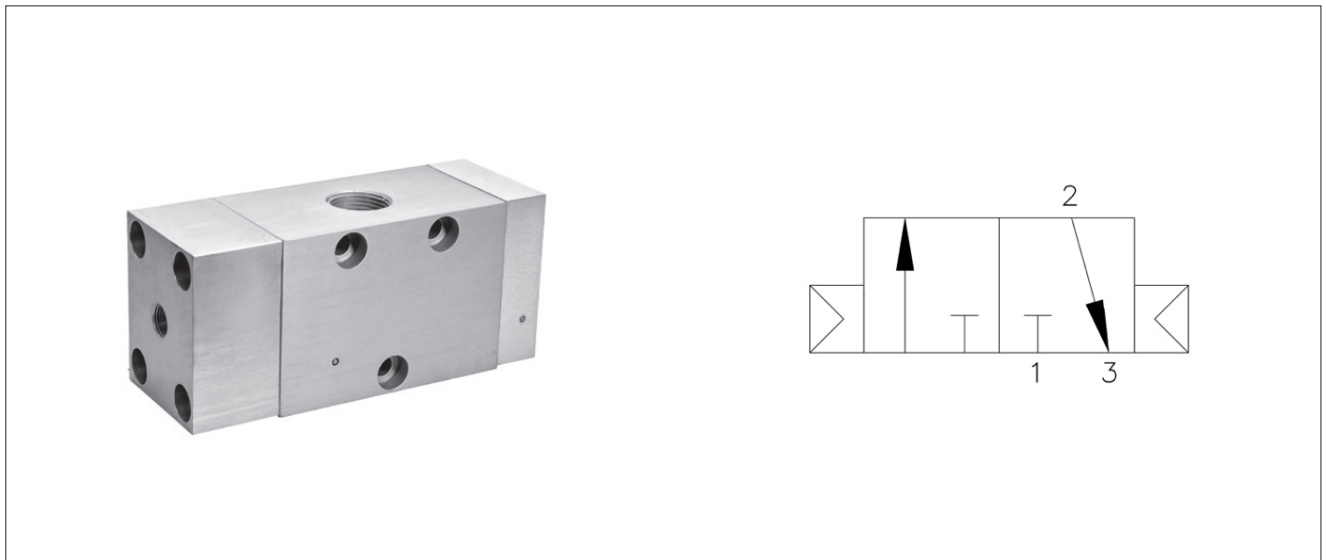


DAQ 610

DAQ 810

## 3/2 way air operated spool type valve

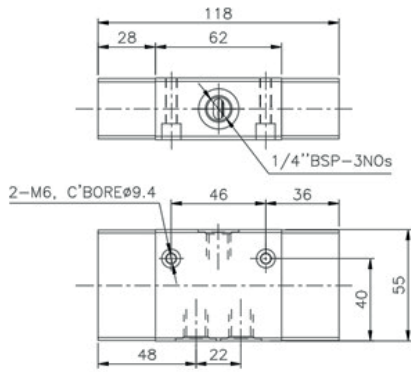
Model No: DAQ211/311/411/611/811



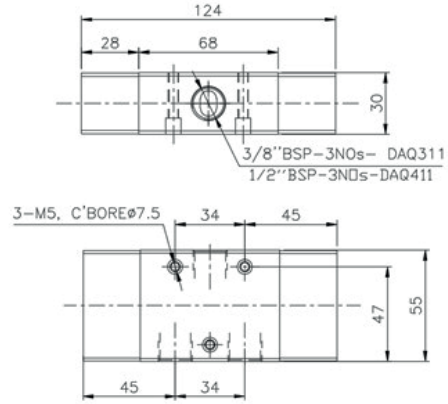
### Technical specification

Model	DAQ211	DAQ311	DAQ411	DAQ611	DAQ811
Type	3/2 way spool design, dual external pilot operated valve				
Media	Compressed air, 50 µm. Filtered, lubricated or unlubricated				
Mounting	Through holes in housing, also suitable for mounting on manifold				
Orifice (mm)	6.7	10	10	16	20
Flow factor (kv) (L / min)	15	38	38	75	110
Port size	1/4"	3/8"	1/2"	3/4"	1"
Operating pressure range (bar)	0 to 10				
Pilot pressure (bar)	2				
Temperature range (°C)	-10 to 70				
Valve body MOC	Aluminium / SS				
Seals MOC	NBR				

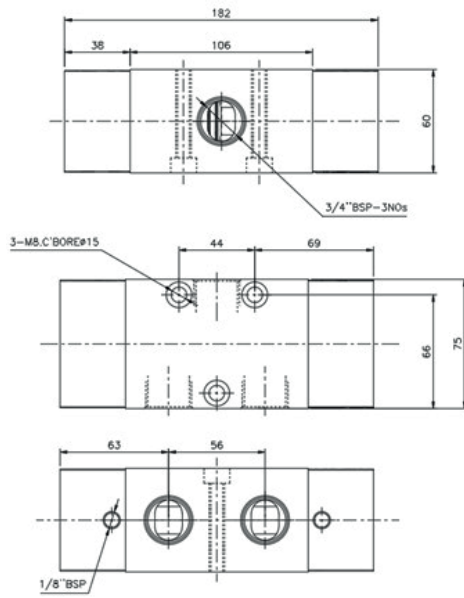
## Dimensional drawings



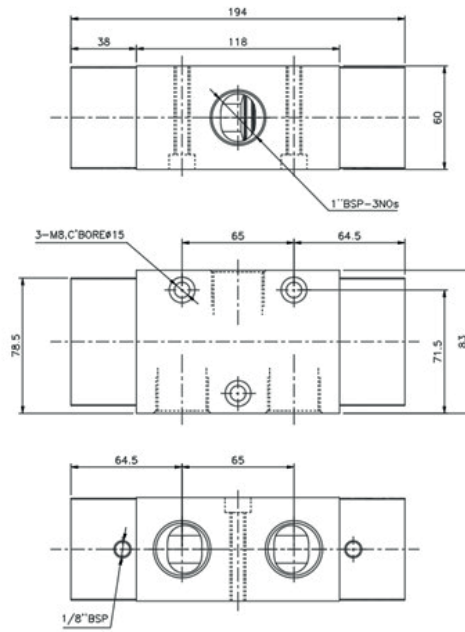
DAQ 211



DAQ 311 & DAQ411



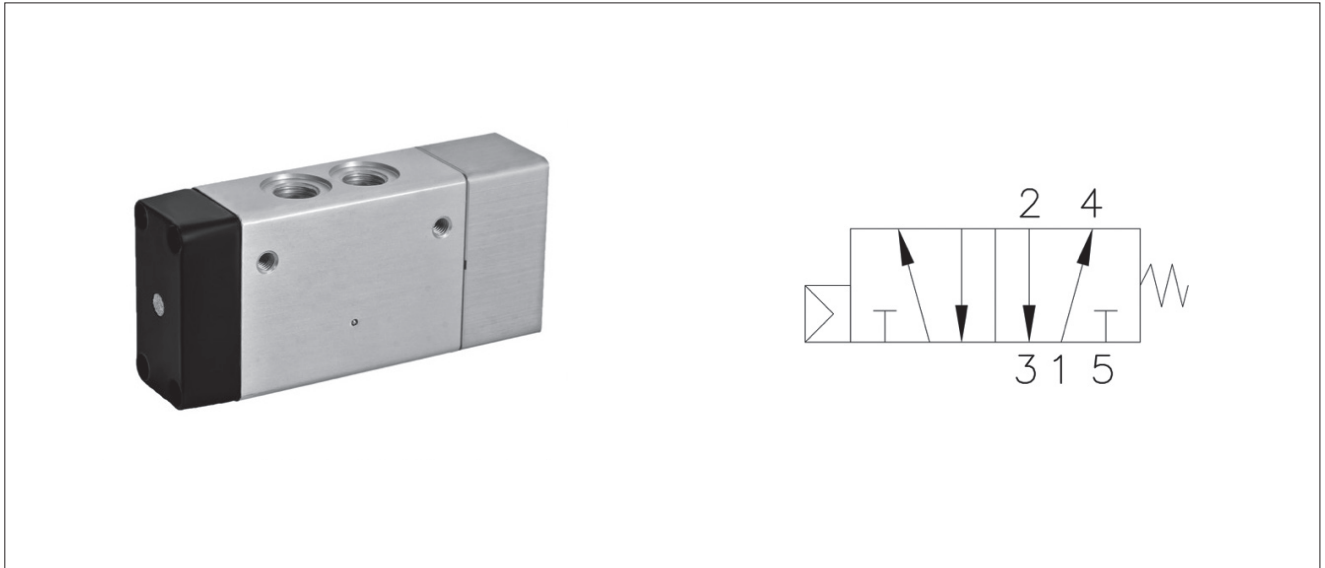
DAQ611



DAQ811

## 5/2 way air operated spool type valve

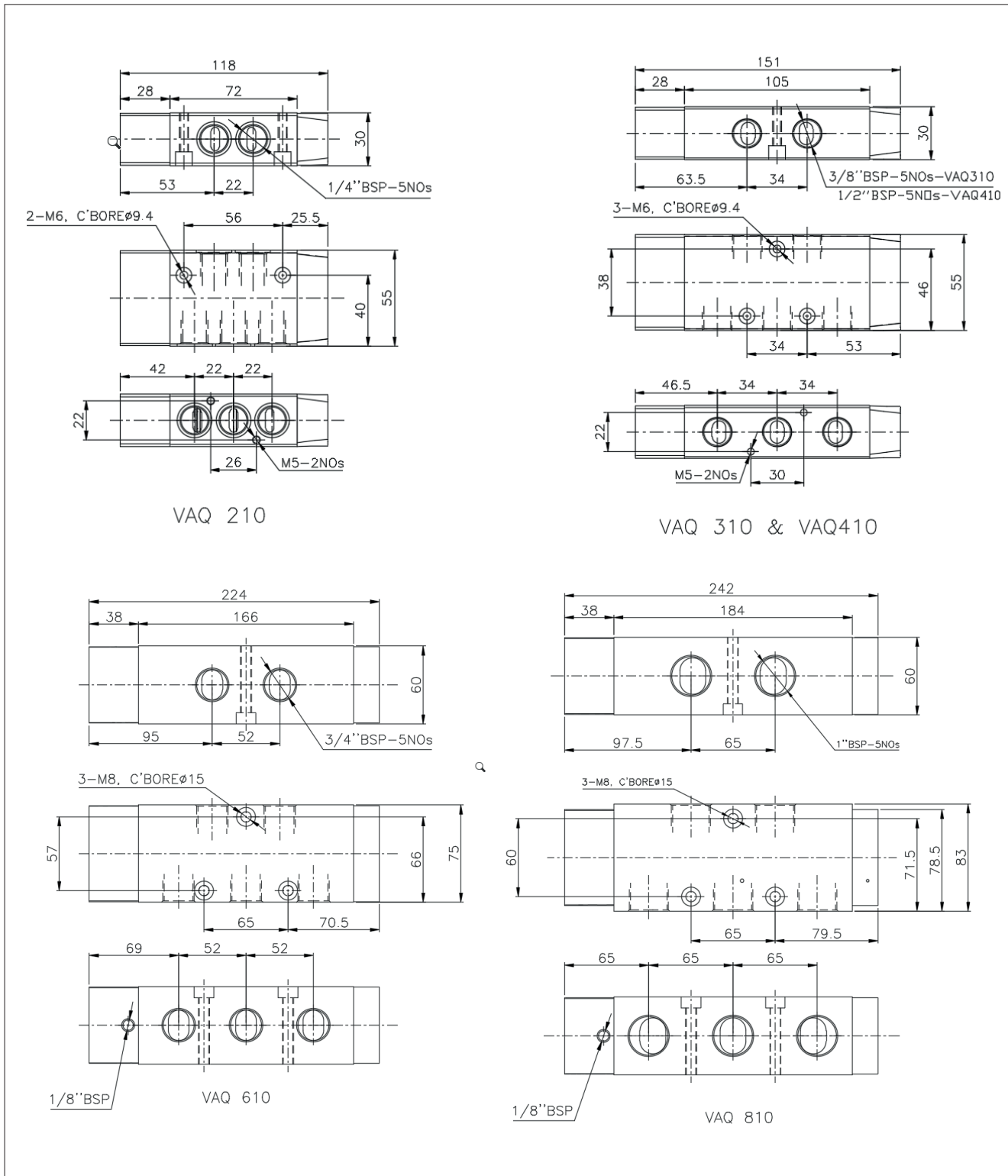
Model No: VAQ210/310/410/610/810



### Technical specification

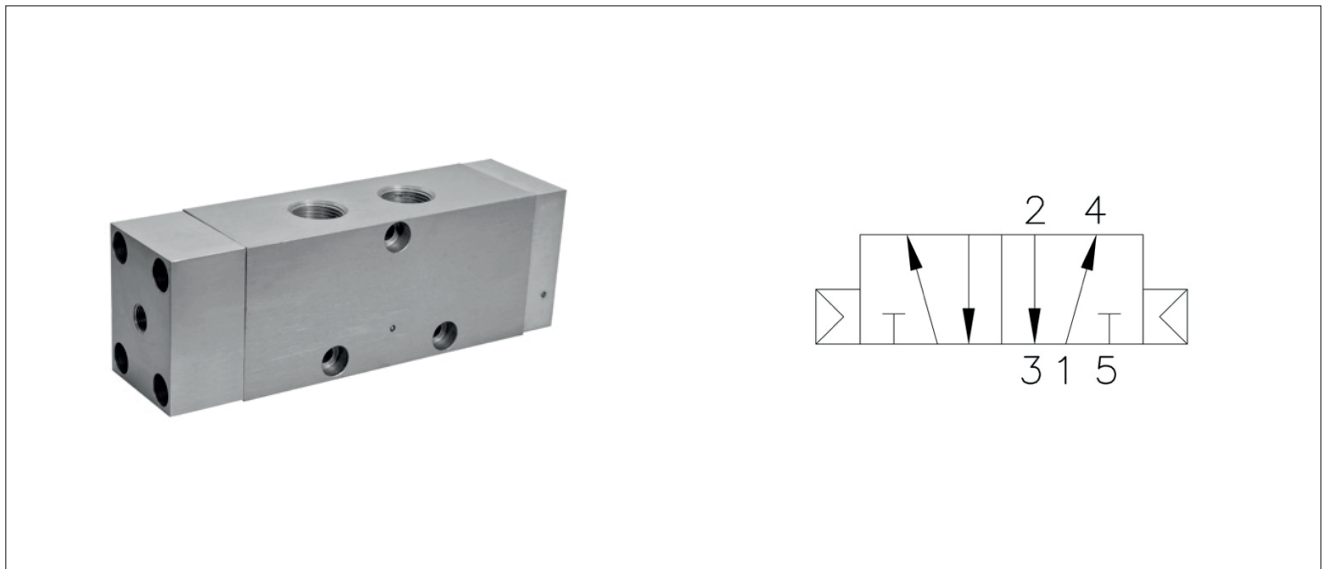
Model	VAQ210	VAQ310	VAQ410	VAQ610	VAQ810
Type	5/2 way spool design, single external pilot operated spring return valve				
Media	Compressed air, 50 µm. Filtered, lubricated or unlubricated				
Mounting	Through holes in housing, also suitable for mounting on manifold				
Orifice (mm)	6.7	10	10	16	20
Flow factor (kv) (L / min)	15	38	38	75	110
Port size	1/4"	3/8"	1/2"	3/4"	1"
Operating pressure range (bar)	0 to 10				
Pilot pressure (bar)	2				
Temperature range (°C)	-10 to 70				
Valve body MOC	Aluminium / SS				
Seals MOC	NBR				

## Dimensional drawings



## 5/2 way air operated spool type valve

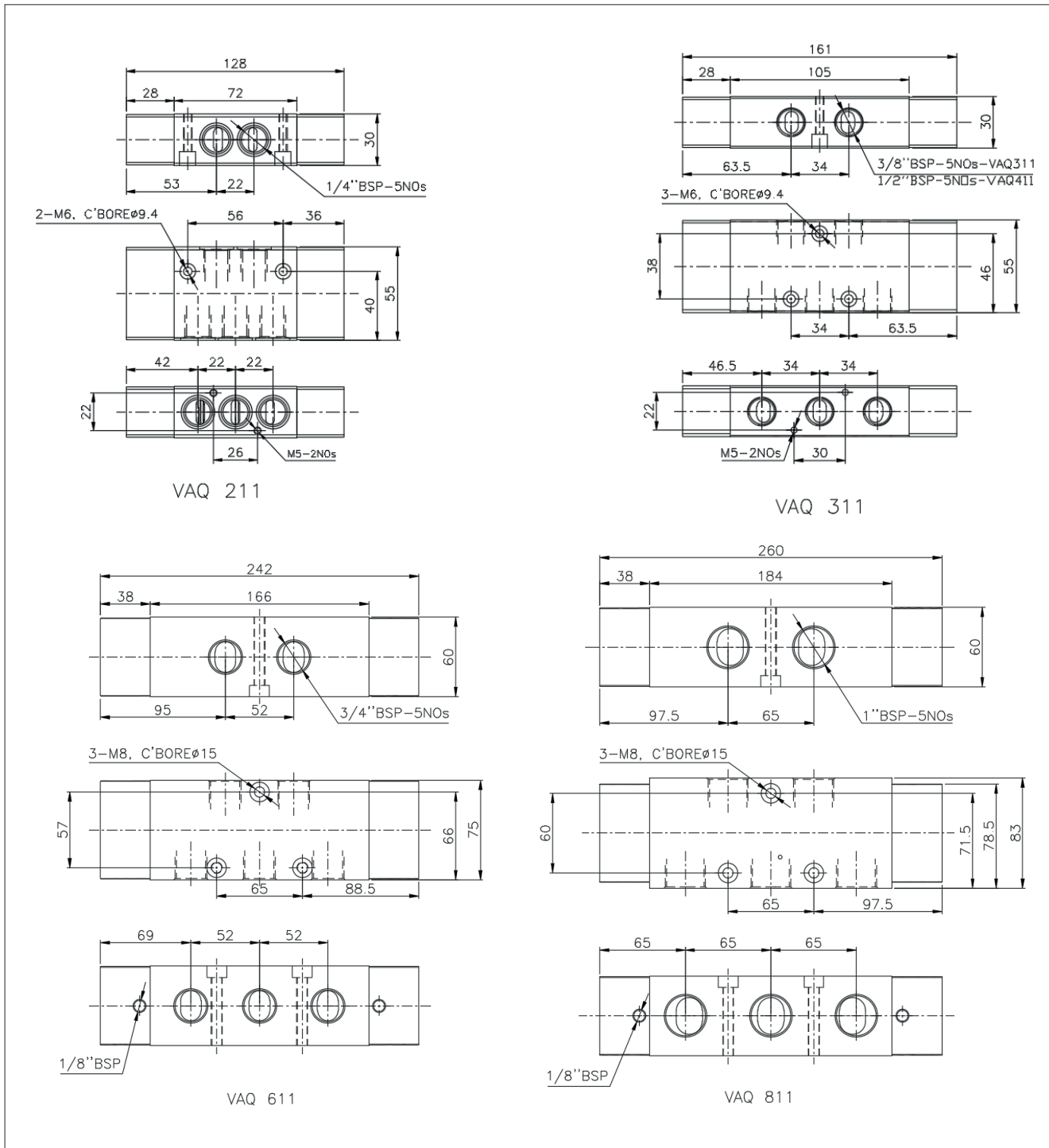
Model No: VAQ211/311/411/611/811



### Technical specification

Model	VAQ211	VAQ311	VAQ411	VAQ611	VAQ811
Type	5/2 way spool design, dual external pilot operated valve				
Media	Compressed air, 50 µm. Filtered, lubricated or unlubricated				
Mounting	Through holes in housing, also suitable for mounting on manifold				
Orifice (mm)	6.7	10	10	16	20
Flow factor (kv) (L / min)	15	38	38	75	110
Port size	1/4"	3/8"	1/2"	3/4"	1"
Operating pressure range (bar)	0 to 10				
Pilot pressure (bar)	2				
Temperature range (°C)	-10 to 70				
Valve body MOC	Aluminium / SS				
Seals MOC	NBR				

## Dimensional drawings





## How to order

1.	2.	3.	4.	5.	6.
DAQ	2	10	G	0	00

1.	Valve type
DAQ	3/2 way
VAQ	5/2 way

4.	Port thread type
G	BSP
R	NPT

2.	Port size
2	1/4"
3	3/8"
4	1/2"
6	3/4"
8	1"

5.	Body material
0	Aluminium
1	SS316

3.	Operator
10	Single air spring return spool valve
11	Double Pilot operated

6.	Seal material
0	NBR
1	VITON

### ORDERING EXAMPLE:

1. DAQ-2-10-G-0-0. This is a 3/2 position spool valve with port size of 1/4" BSP connection and aluminium body having NBR seal.
2. VAQ-4-11-R-0-1. This is a 5/2 position spool valve with port size of 1/2" NPT connection and aluminium body having Viton seal.

**Valmet Flow Control Private Limited**

Plot no:560 Manpada Road  
Dombivli East, Maharashtra 421204  
[www.valmet.com/flowcontrol](http://www.valmet.com/flowcontrol)

Subject to change without prior notice.

Neles, Neles Easyflow, Jamesbury, Stonel, Valvcon and Flowrox, and certain other trademarks, are either registered trademarks or trademarks of Valmet Oyj or its subsidiaries in the United States and/or in other countries.

