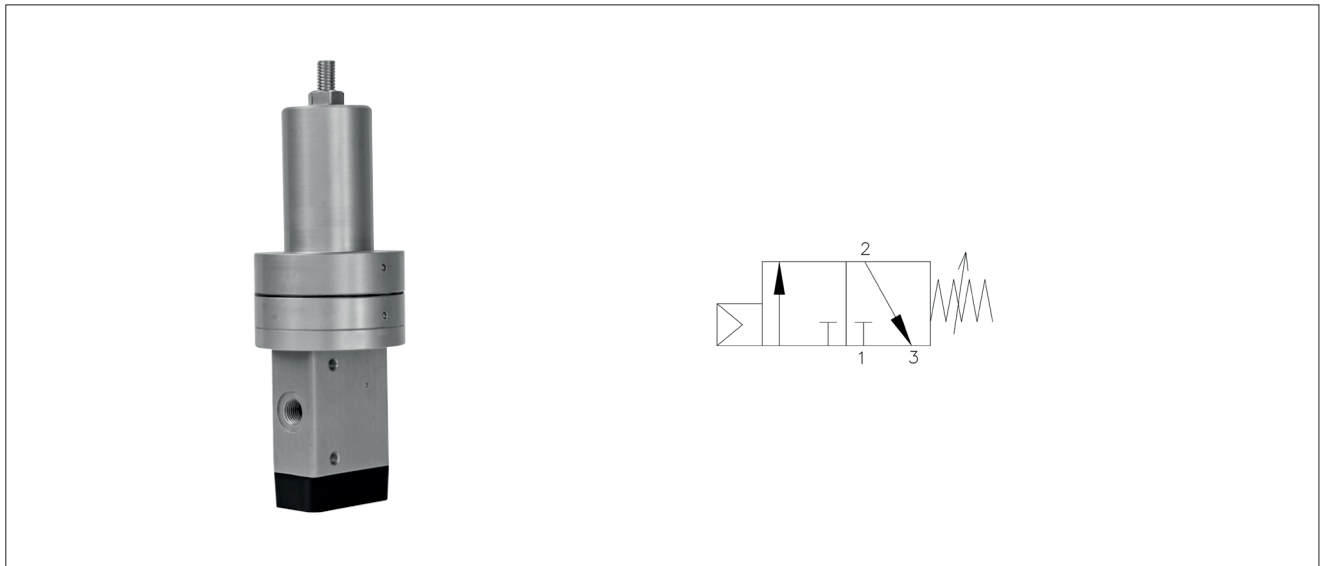


# Neles Easyflow™ pneumatic pressure switches

## Series SENALRQ

3/2 way pressure switch

Model no. SENALRQ-3



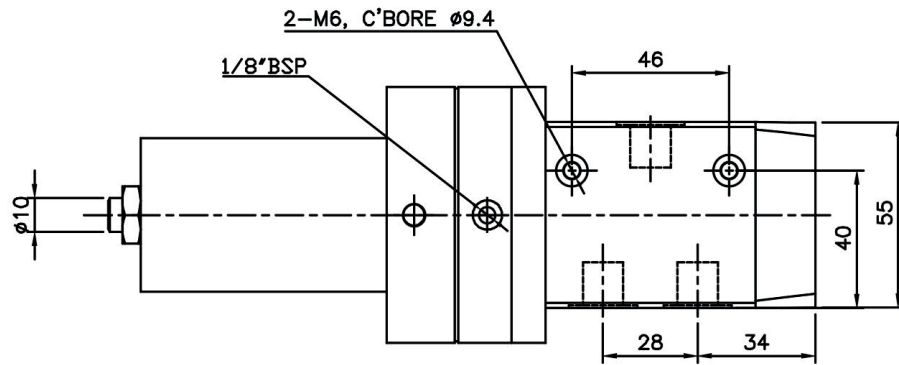
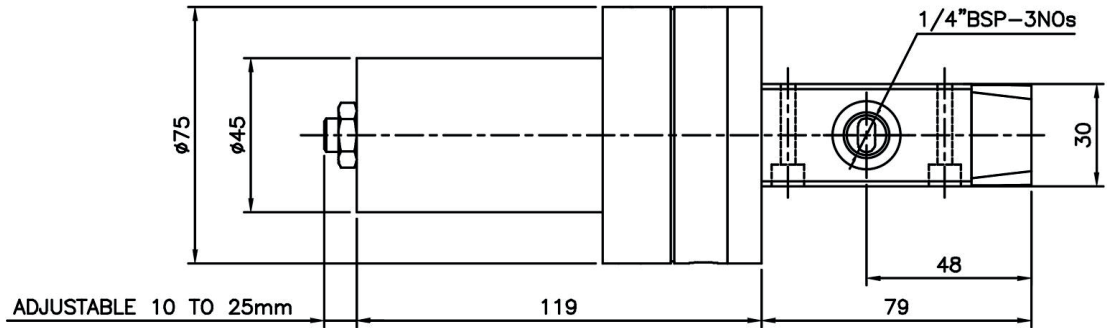
### Features

- For control valve application.
- Sensitivity 0.5 bar to cutoff only.
- Most suited for critical applications.
- No external bleed.
- Adjustable from 3 to 10 bar.
- 3-way & 4-way versions available where all ports are blocked.
- Super compact in size.
- Dual diaphragms for high sensitivity.
- Application most suited to perform emergency shut down on pressure fluctuation within 0.5 bar.

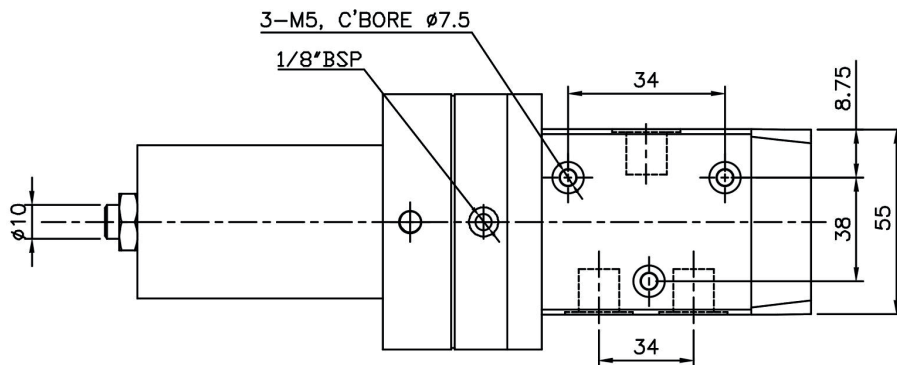
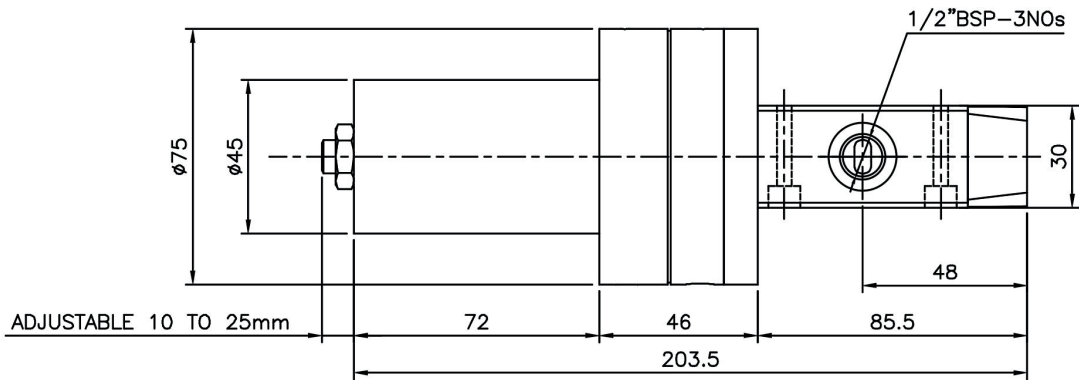
### Technical specification

Model	SENALRQ-3-2	SENALRQ-3-4
Type	3/2 way spool design sensitive air lock relay	
Media	Compressed air, 25 µm. Filtered, lubricated or unlubricated	
Mounting	Through holes in housing, also suitable for mounting on manifold	
Operating pressure range	0-10 bar	
Pilot pressure	2-10 bar	
Temperature range (°C)	-20 to 80	
Valve body MOC	Aluminium / Brass / SS 316/SS 304	
Seals MOC	NBR	

## Dimensional drawings



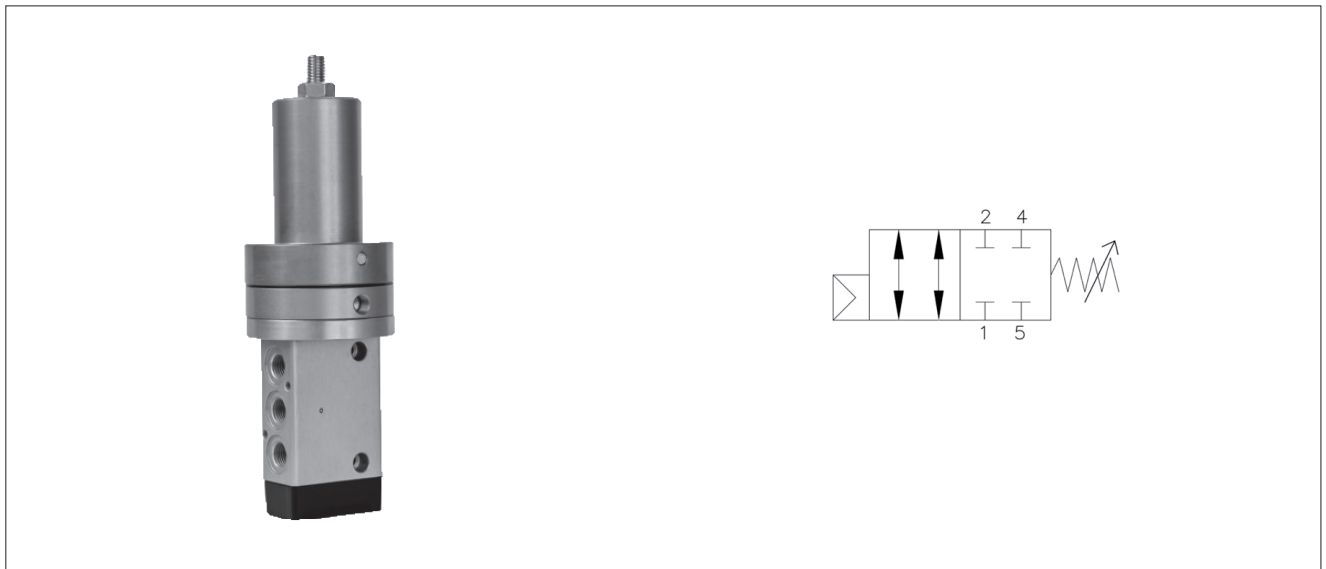
SENALRQ3-2G



SENALRQ3-4G

## 5/2 way pressure switch

Model no. SENALRQ-5



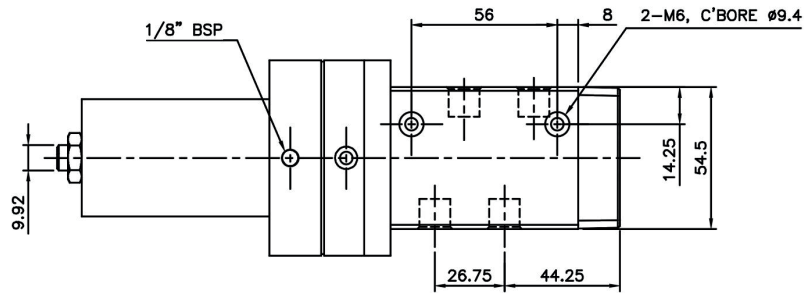
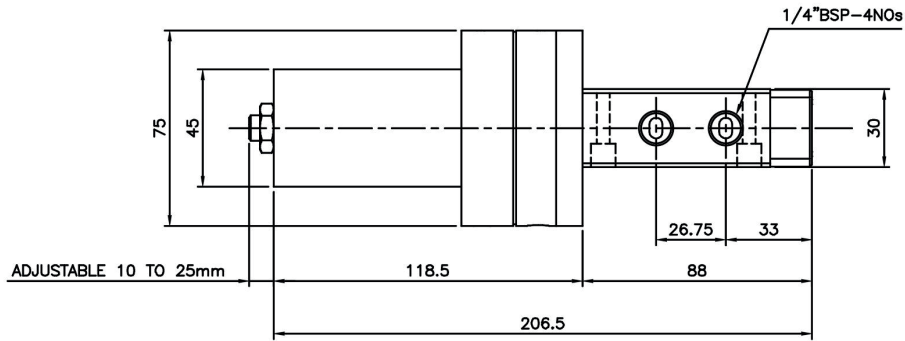
### Features

- For control valve application.
- Sensitivity 0.5 bar to cutoff only.
- Most suited for critical applications.
- No external bleed.
- Adjustable from 3 to 10 bar.
- 3-way & 4-way versions available where all ports are blocked.
- Super compact in size.
- Dual diaphragms for high sensitivity.
- Application most suited to perform emergency shut down on pressure fluctuation within 0.5 bar.

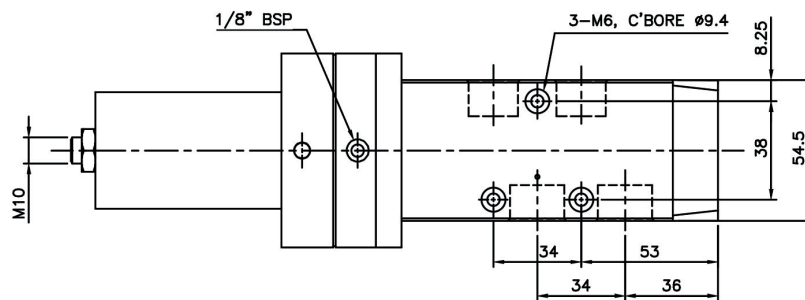
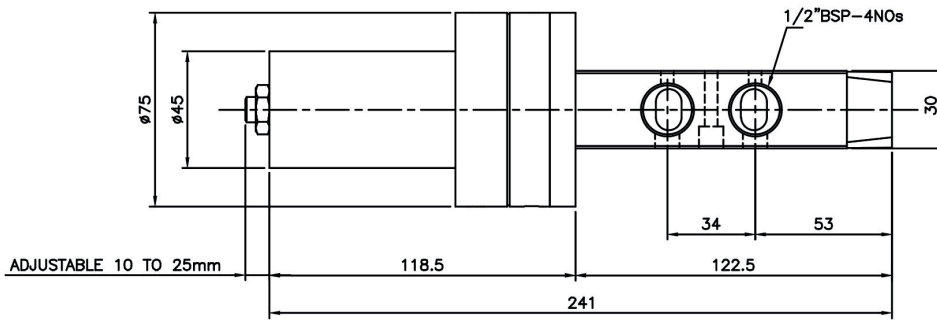
### Technical specification

Model	SENALRQ-5-2	SENALRQ-5-4
Type	5/2 way spool design sensitive air lock relay	
Media	Compressed air, 25 µm. Filtered, lubricated or unlubricated	
Mounting	Through holes in housing, also suitable for mounting on manifold	
Operating pressure range	0-10 bar	
Pilot pressure	2-10 bar	
Temperature range (°C)	-20 TO 80	
Valve body MOC	Aluminium / Brass / SS 316/SS 304	
Seals MOC	NBR	

## Dimensional drawings



SENALRQ5-2G



SENALRQ5-4G

## How to order

1	2	3	4	5	6
SENALRQ	3	2	G	0	0

1.	Principle
SENALRQ	Sensitive Pneumatics lock relays

2.	Action
3	3/2 way
5	5/2 way

3.	Port size
2	1/4"
3	3/8"
4	1/2"

4.	Port thread type
G	BSP
R	NPT

5.	Body material
0	Aluminium
1	SS316

6.	Seal material
0	NBR
1	VITON

### ORDERING EXAMPLE:

1. SENALRQ-3-2-G-0-0. This is a 3/2 position Pneumatics lock relay valve with port size of 1/4" BSP Aluminium body along with NBR as a seal material.

**Valmet Flow Control Private Limited**

Plot no:560 Manpada Road  
Dombivli East, Maharashtra 421204  
[www.valmet.com/flowcontrol](http://www.valmet.com/flowcontrol)

Subject to change without prior notice.

Neles, Neles Easyflow, Jamesbury, Stonel, Valvcon and Flowrox, and certain other trademarks, are either registered trademarks or trademarks of Valmet Oyj or its subsidiaries in the United States and/or in other countries.

